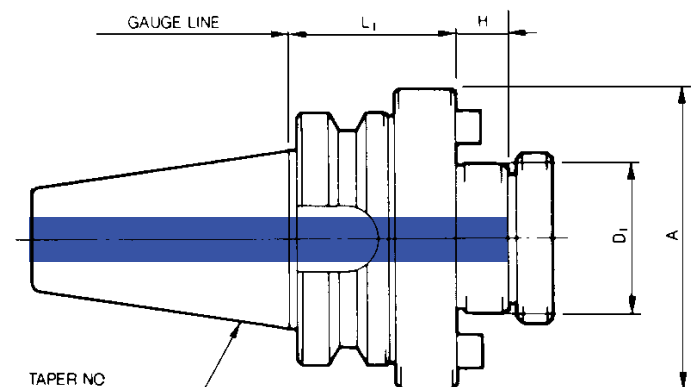


Shell Mill Holders



BT Flange Tools

For parts, see page 1-33

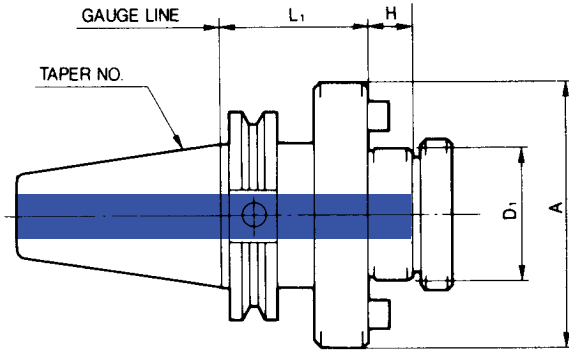
COOL = DRILLED THRU FOR COOLANT THRU OPTION

BT

Taper	Order No.	Device Type	D ₁ (in)	L ₁ (in)	H (in)	A (in)
COOL 30	479-435	BT30 – SM 3/4" – 30mm	0.750	1.18	0.69	1.75
COOL 30	479-445	BT30 – SM 1" – 45mm	1.000	1.77	0.69	2.25
35	479-025*	BT35 – SM 1/2" – 30mm	0.500	1.18	0.55	1.49
35	479-050*	BT35 – SM 1-1/4" – 45mm	1.250	1.77	0.69	2.75
COOL 40	479-135	BT40 – SM 3/4" – 60mm	0.750	2.36	0.69	1.75
COOL 40	479-136	BT40 – SM 3/4" – 4.00"	0.750	4.00	0.69	1.75
NEW COOL 40	479-137	BT40 – SM 3/4" – 6.00"	0.750	6.00	0.69	1.75
COOL 40	479-145	BT40 – SM 1" – 45mm	1.000	1.77	0.69	2.25
40	479-146	BT40 – SM 1" – 4.00"	1.000	4.00	0.69	2.25
40	479-150	BT40 – SM 1-1/4" – 60mm	1.250	2.36	0.69	2.75
40	479-155	BT40 – SM 1-1/2" – 60mm	1.500	2.36	0.94	3.82
45	479-235*	BT45 – SM 3/4" – 45mm	0.750	1.77	0.69	1.75
45	479-255*	BT45 – SM 1-1/2" – 60mm	1.500	2.36	0.94	3.82
50	479-335*	BT50 – SM 3/4" – 60mm	0.750	2.36	0.69	1.75
50	479-345*	BT50 – SM 1" – 60mm	1.000	2.36	0.69	2.25
50	479-350*	BT50 – SM 1-1/4" – 45mm	1.250	1.77	0.69	2.75
50	479-355*	BT50 – SM 1-1/2" – 45mm	1.500	1.77	0.94	3.82
50	479-360*	BT50 – SM 2" – 60mm	2.000	2.36	0.94	4.13

*While stock is still available.

Shell Mill Holders



CT

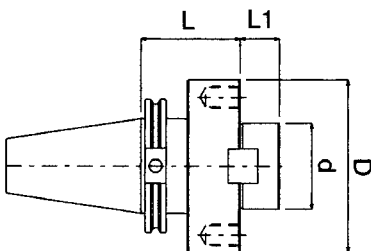
COOL = DRILLED THRU FOR COOLANT THRU OPTION

CT Flange Tools

For parts, see page 1-33

Taper	Order No.	Device Type	D ₁ (in)	L ₁ (in)	H (in)	A (in)		
COOL	40	480-135	CT40 - SM 3/4" - 1.75"	0.750	1.75	0.69	1.75	
COOL	40	480-136	CT40 - SM 3/4" - 4.00"	0.750	4.00	0.69	1.75	
COOL	40	480-137	CT40 - SM 3/4" - 6.00"	0.750	6.00	0.69	1.75	
NEW	COOL	40	480-138	CT40 - SM 3/4" - 8.00"	0.750	8.00	0.69	1.75
COOL	40	480-145	CT40 - SM 1" - 2.50"	1.000	2.50	0.69	2.25	
COOL	40	480-146	CT40 - SM 1" - 4.00"	1.000	4.00	0.69	2.25	
COOL	40	480-147	CT40 - SM 1" - 6.00"	1.000	6.00	0.69	2.25	
NEW	COOL	40	480-148	CT40 - SM 1" - 8.00"	1.000	8.00	0.69	2.25
COOL	40	480-150	CT40 - SM 1-1/4" - 2.50"	1.250	2.50	0.69	2.75	
COOL	40	480-151	CT40 - SM 1-1/4" - 4.50"	1.250	4.50	0.69	2.75	
COOL	40	480-155	CT40 - SM 1-1/2" - 2.50"	1.500	2.50	0.94	3.82	
COOL	40	480-156	CT40 - SM 1-1/2" - 4.00"	1.500	4.00	0.94	3.82	
COOL	50	480-335	CT50 - SM 3/4" - 1.50"	0.750	1.50	0.69	1.75	
COOL	50	480-336	CT50 - SM 3/4" - 3.50"	0.750	3.50	0.69	1.75	
COOL	50	480-337	CT50 - SM 3/4" - 5.50"	0.750	5.50	0.69	1.75	
COOL	50	480-338	CT50 - SM 3/4" - 8.00"	0.750	8.00	0.69	1.75	
NEW	COOL	50	480-339	CT50 - SM 3/4" - 10.00"	0.750	10.00	0.69	1.75
NEW	COOL	50	480-340	CT50 - SM 3/4" - 12.00"	0.750	12.00	0.69	1.75
COOL	50	480-345	CT50 - SM 1" - 2.00"	1.000	2.00	0.69	2.25	
COOL	50	480-346	CT50 - SM 1" - 4.00"	1.000	4.00	0.69	2.25	
COOL	50	480-347	CT50 - SM 1" - 6.00"	1.000	6.00	0.69	2.25	
COOL	50	480-348	CT50 - SM 1" - 8.00"	1.000	8.00	0.69	2.25	
COOL	50	480-349	CT50 - SM 1" - 10.00"	1.000	10.00	0.69	2.25	
NEW	COOL	50	480-344	CT50 - SM 1" - 12.00"	1.000	12.00	0.69	2.25
COOL	50	480-350	CT50 - SM 1-1/4" - 1.50"	1.250	1.50	0.69	2.75	
COOL	50	480-351	CT50 - SM 1-1/4" - 3.50"	1.250	3.50	0.69	2.75	
COOL	50	480-352	CT50 - SM 1-1/4" - 5.50"	1.250	5.50	0.69	2.75	
COOL	50	480-355	CT50 - SM 1-1/2" - 2.40"	1.500	2.40	0.94	3.82	
COOL	50	480-356	CT50 - SM 1-1/2" - 4.00"	1.500	4.00	0.94	3.82	
COOL	50	480-357	CT50 - SM 1-1/2" - 6.00"	1.500	6.00	0.94	3.82	
COOL	50	480-358	CT50 - SM 1-1/2" - 8.00"	1.500	8.00	0.94	3.82	
COOL	50	480-360	CT50 - SM 2" - 2.40"	2.000	2.40	0.94	4.75	
COOL	50	480-361	CT50 - SM 2" - 4.00"	2.000	4.00	0.94	4.75	
COOL	50	480-362	CT50 - SM 2" - 6.00"	2.000	6.00	0.94	4.75	
COOL	50	**480-365	CT50 - FM 2-1/2" - 2.40"	2.500	2.40	1.13	5.06	

**Face Mill Holders

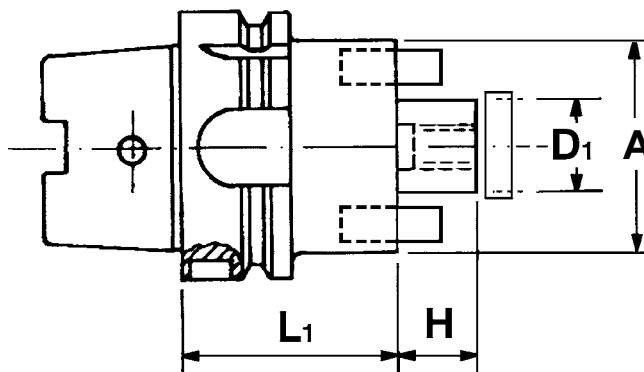


* While stock is still available

** Includes 4 tapped holes 5/8" - 11UNC on a 4" Bolt Circle

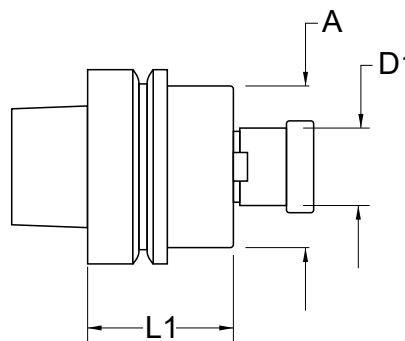
Shell Mill Holders

HSK-A & HSK-F Flange Tools



HSK-A

Taper	Order No.	Device Type	D ₁ (in)	L ₁ (in)	H (in)	Key Size (in)	A (in)	Max RPM	
	63A	580-535A	HSK63A-SM 3/4"-3.00	0.750	3.00	0.69"	0.3125"	1.75"	10,000
	63A	580-536A	HSK63A-SM 3/4"-4.00	0.750	4.00	0.69"	0.3125"	1.75"	8,000
NEW	63A	580-538A	HSK63A-SM 3/4"-6.00	0.750	6.00	0.69"	0.3125"	1.75"	8,000
NEW	63A	580-539A	HSK63A-SM 3/4"-8.00	0.750	8.00	0.69"	0.3125"	1.75"	8,000
	63A	580-545A	HSK63A-SM 1"-3.00	1.000	3.00	0.69"	0.375"	2.25"	10,000
	63A	580-546A	HSK63A-SM 1"-4.00	1.000	4.00	0.69"	0.375"	2.25"	8,000
NEW	63A	580-548A	HSK63A-SM 1"-6.00	1.000	6.00	0.69"	0.375"	2.25"	8,000
NEW	63A	580-549A	HSK63A-SM 1"-8.00	1.000	8.00	0.69"	0.375"	2.25"	8,000
	63A	580-550A	HSK63A-SM 1-1/4"-3.00	1.250	3.00	0.69"	0.500"	2.75"	8,000
	63A	580-551A	HSK63A-SM 1-1/4"-5.00	1.250	5.00	0.69"	0.500"	2.75"	6,000



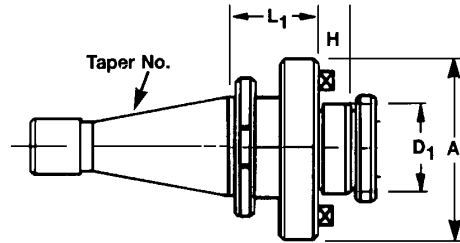
HSK-F

Taper	Order No.	Device Type	D ₁ (in)	L ₁ (in)	H (in)	Key Size (in)	A (in)	Max RPM	
NEW	63F	580-536F	HSK63F-SM 3/4"-4.00	0.750	4.00	0.69"	0.3125"	1.75"	10,000
NEW	63F	580-546F	HSK63F-SM 1"-4.00	1.000	4.00	0.69"	0.375"	2.25"	10,000

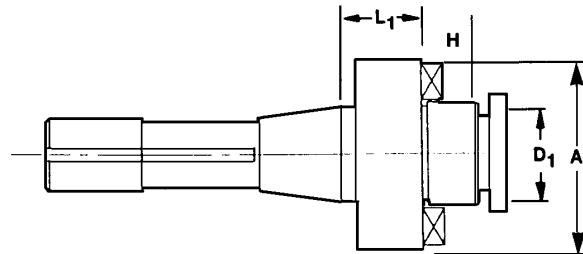
Shell Mill Holders



NMTB



R8



R8 & NMTB-QC Flange Tools

NMTB tool holders are
qualified for use with
Erickson QC spindles

For parts, see page 1-33

Taper	Order No.	Device Type	D ₁ (in)	L ₁ (in)	H (in)	A (in)
30	680-035	NMTB30QC-SM 3/4-1.312	0.750	1.312	0.69	1.75
30	680-045	NMTB30QC-SM 1-1.312	1.000	1.312	0.69	2.25
40	680-235	NMTB40QC-SM 3/4-0.875	0.750	0.875	0.69	1.75
40	680-245	NMTB40QC-SM 1-1.3125	1.000	1.3125	0.69	2.25
40	680-255	NMTB40QC-SM 1-1/2-1.625	1.500	1.625	0.94	3.82
50	680-435	NMTB50QC-SM 3/4-1.250	0.750	1.250	0.69	1.75
50	680-450	NMTB50QC-SM 1-1/4-1.875	1.250	1.875	0.69	2.75
50	680-455	NMTB50QC-SM 1-1/2-1.875	1.500	1.875	0.94	3.82
50	680-460	NMTB50QC-SM 2-1.875	2.000	1.875	0.94	4.13
R8	680-835	R8-SM 3/4	0.750	1.00	0.69	1.75
R8	680-845	R8-SM 1	1.000	1.00	0.69	2.25

Parts for Techleader Shell Mill Holders

New Coolant Thru Arbor Screw



DRIVE KEY SCREWS

Holder Size	Order No.	Drive Key Screws
1/2"	30130-303	M3 x 0.5P x 10MM
3/4"	30130-303	M3 x 0.5P x 10MM
1"	30130-304	M4 x 0.7P x 10MM
1-1/4"	30130-305	M5 x 0.8P x 12MM
1-1/2"	30130-306	M6 x 1.0P x 15MM
2"	30130-308	M8 x 1.25P x 20MM
2-1/2"	30130-308	M8 x 1.25P x 20MM



DRIVE KEY

Holder Size	Order No.	Drive Keys
1/2"	30130-111	6.2MM x 8MM
3/4"	30130-112	7.8MM x 8MM
1"	30130-102	9.4MM x 10MM
1-1/4"	30130-106	12.6MM x 12MM
1-1/2"	30130-108	15.8MM x 20MM
2"	30130-109	18.9MM x 22MM
2-1/2"	30130-110	25.3MM x 20MM



ARBOR SCREWS

Holder Size	Order No.	Arbor Screw Size
1/2"	30130-207	1/4" - 28UNF
3/4"	30130-208	3/8" - 24UNF
1"	30130-209	1/2" - 20UNF
1-1/4"	30130-210	5/8" - 18UNF
1-1/2"	30130-211	3/4" - 16UNF
2"	30130-212	1" - 14UNF

ARBOR SCREWS – Coolant thru side slots

Holder Size	Order No.	Arbor Screw Size
1/2"	30130-215	1/4" - 28 UNF
3/4"	30130-216	3/8" - 24 UNF
1"	30130-217	1/2" - 20 UNF
1-1/4"	30130-218	5/8" - 18 UNF
1-1/2"	30130-219	3/4" - 16 UNF
2"	30130-220	1" - 14 UNF

