

Wide Range Multibore Standard Crawford Collets

W850

L_1 = Total Length = 51.8 mm

A = Max. Dia = 70.1 mm

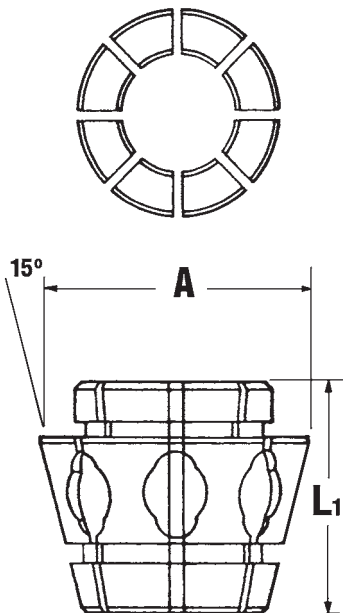


CLAMPING RANGE		ROUND	HEXAGON	SQUARE
Inches (in)	Metric (mm)	Order No.	Order No.	Order No.
1/16 to 3/16	1.58 to 4.76	W850-C1	W850-C68	W850-C86
1/8 to 1/4	3.17 to 6.35	W850-C2	W850-C69	W850-C87
1/4 to 3/8	6.35 to 9.52	W850-C3	W850-C70	W850-C88
3/8 to 1/2	9.52 to 12.70	W850-C4	W850-C71	W850-C89
1/2 to 5/8	12.70 to 15.87	W850-C5	W850-C72	W850-C90
5/8 to 3/4	15.87 to 19.05	W850-C6	W850-C73	W850-C91
3/4 to 7/8	19.05 to 22.22	W850-C7	W850-C74	W850-C92
7/8 to 1	22.22 to 25.40	W850-C8	W850-C75	W850-C93
1 to 1-1/8	25.40 to 28.57	W850-C9	W850-C76	W850-C94
1-1/8 to 1-1/4	28.57 to 31.75	W850-C10	W850-C77	W850-C95
1-1/4 to 1-3/8	31.75 to 34.92	W850-C11	W850-C78	-
1-3/8 to 1-1/2	34.92 to 38.10	W850-C12	W850-C79	-
1-1/2 to 1-5/8	38.10 to 41.27	W850-C13	-	-
1.535 to 1.653	39.0 to 42.00	W850-C14	-	-

V120

L_1 = Total Length = 62.7 mm

A = Max. Dia = 88.0 mm



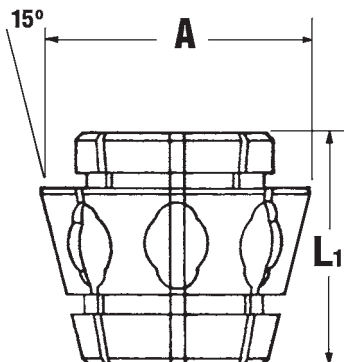
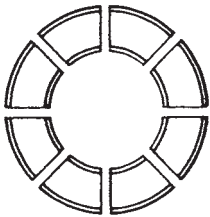
CLAMPING RANGE		ROUND	HEXAGON	SQUARE
Inches (in)	Metric (mm)	Order No.	Order No.	Order No.
1/8 to 1/4	3.17 to 6.35	V120-D2	V120-D69	V120-D87
1/4 to 3/8	6.35 to 9.52	V120-D3	V120-D70	V120-D88
3/8 to 1/2	9.52 to 12.70	V120-D4	V120-D71	V120-D89
1/2 to 5/8	12.70 to 15.87	V120-D5	V120-D72	V120-D90
5/8 to 3/4	15.87 to 19.05	V120-D6	V120-D73	V120-D91
3/4 to 7/8	19.05 to 22.22	V120-D7	V120-D74	V120-D92
7/8 to 1	22.22 to 25.40	V120-D8	V120-D75	V120-D93
1 to 1-1/8	25.40 to 28.57	V120-D9	V120-D76	V120-D94
1-1/8 to 1-1/4	28.57 to 31.75	V120-D10	V120-D77	V120-D95
1-1/4 to 1-3/8	31.75 to 34.92	V120-D11	V120-D78	V120-D96
1-3/8 to 1-1/2	34.92 to 38.10	V120-D12	V120-D79	V120-D97
1-1/2 to 1-5/8	38.10 to 41.27	V120-D13	V120-D80	V120-D98
1-5/8 to 1-3/4	41.27 to 44.45	V120-D14	V120-D81	-
1-3/4 to 1-7/8	44.45 to 47.62	V120-D15	V120-D82	-
1-7/8 to 2	47.62 to 50.80	V120-D16	V120-D83	-
2 to 2-1/8	50.80 to 53.97	V120-D17	-	-

Wide Range Multibore Standard Crawford Collets

T285

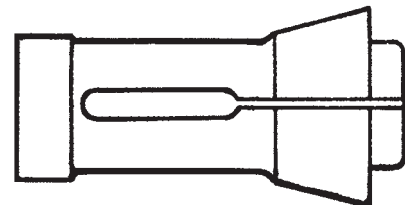
L_1 = Total Length = 73.2mm

A = Max. Dia = 99.3 mm



CLAMPING RANGE		ROUND	HEXAGON	SQUARE
Inches (in)	Metric (mm)	Order No.	Order No.	Order No.
1/8 to 1/4	3.17 to 6.35	T285-E2	T285-E69	T285-E87
1/4 to 3/8	6.35 to 9.52	T285-E3	T285-E70	T285-E88
3/8 to 1/2	9.52 to 12.70	T285-E4	T285-E71	T285-E89
1/2 to 5/8	12.70 to 15.87	T285-E5	T285-E72	T285-E90
5/8 to 3/4	15.87 to 19.05	T285-E6	T285-E73	T285-E91
3/4 to 7/8	19.05 to 22.22	T285-E7	T285-E74	T285-E92
7/8 to 1	22.22 to 25.40	T285-E8	T285-E75	T285-E93
1 to 1-1/8	25.40 to 28.57	T285-E9	T285-E76	T285-E94
1-1/8 to 1-1/4	28.57 to 31.75	T285-E10	T285-E77	T285-E95
1-1/4 to 1-3/8	31.75 to 34.92	T285-E11	T285-E78	T285-E96
1-3/8 to 1-1/2	34.92 to 38.10	T285-E12	T285-E79	T285-E97
1-1/2 to 1-5/8	38.10 to 41.27	T285-E13	T285-E80	T285-E98
1-5/8 to 1-3/4	41.27 to 44.45	T285-E14	T285-E81	T285-E99
1-3/4 to 1-7/8	44.45 to 47.62	T285-E15	T285-E82	-
1-7/8 to 2	47.62 to 50.80	T285-E16	T285-E83	-
2 to 2-1/8	50.80 to 53.97	T285-E17	T285-E84	-
2-1/8 to 2-1/4	53.97 to 57.15	T285-E18	T285-E85	-
2-1/4 to 2 3/8	57.15 to 60.32	T285-E19	-	-
2-3/8 to 2-1/2	60.32 to 63.50	T285-E20	-	-
2-1/2 to 2-5/8	63.50 to 66.67	T285-E21	-	-

EMERGENCY COLLETS



Order No.	Multibore Style Equiv.	Description
M286-000-S	W850	STEEL
N853-000-S	V120	STEEL
K247-000-S	T285	STEEL

Wide Range Multibore DIN 6343 Collets

M671

L_1 = Total Length = 38.0 mm

A = Max. Dia = 56.5 mm

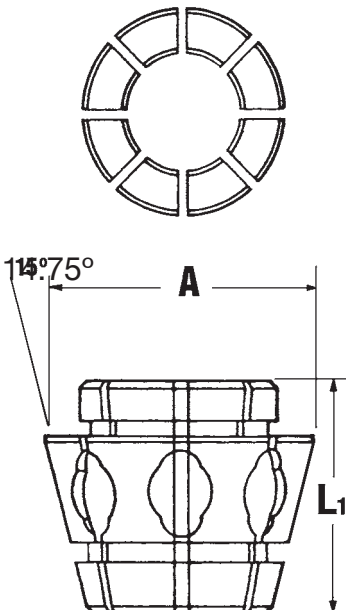


CLAMPING RANGE	ROUND	HEXAGON	SQUARE
Metric (mm)	Order No.	Order No.	Order No.
4 to 6	M671 - R6*	M671- H6*	M671- S6*
6 to 8	M671 - R8*	M671- H8*	M671- S8*
8 to 10	M671 - R10	M671- H10	M671- S10
10 to 12	M671 - R12	M671- H12	M671- S12
12 to 14	M671 - R14	M671- H14	M671- S14
14 to 16	M671 - R16	M671- H16	M671- S16
16 to 18	M671 - R18	M671- H18	M671- S18
18 to 20	M671 - R20	M671- H20	M671- S20
20 to 22	M671 - R22	M671- H22	M671- S22
22 to 24	M671 - R24	M671- H24	M671- S24
24 to 26	M671 - R26	M671 -H26	-
26 to 28	M671 - R28	M671- H28	-
28 to 30	M671 - R30	-	-
30 to 32	M671 - R32	-	-
32 to 34	M671 - R34*	-	-

M673

L_1 = Total Length = 39.0 mm

A = Max. Dia = 61.5 mm



CLAMPING RANGE	ROUND	HEXAGON	SQUARE
Metric (in)	Order No.	Order No.	Order No.
4 to 6	M673- R6*	M673- H6*	M673- S6*
6 to 8	M673- R8*	M673- H8*	M673- S8*
8 to 10	M673- R10	M673- H10	M673- S10
10 to 12	M673- R12	M673- H12	M673- S12
12 to 14	M673- R14	M673- H14	M673- S14
14 to 16	M673- R16	M673- H16	M673- S16
16 to 18	M673- R18	M673- H18	M673- S18
18 to 20	M673- R20	M673- H20	M673- S20
20 to 22	M673- R22	M673- H22	M673- S22
22 to 24	M673- R24	M673- H24	M673- S24
24 to 26	M673- R26	M673- H26	M673- S26
26 to 28	M673- R28	M673- H28	M673- S28
28 to 30	M673- R30	M673- H30	M673- S30
30 to 32	M673- R32	M673- H32	-
32 to 34	M673- R34	M673- H34	-
34 to 36	M673- R36	M673- H36	-
36 to 38	M673- R38	-	-
38 to 40	M673- R40	-	-
40 to 42	M673- R42*	-	-

*Hexagon and Square collets and those marked * can only be supplied with plain bore or annular serrations, the remainder being available with spiral serrations. Please write for details for heavy duty Auto-Multibore collets.

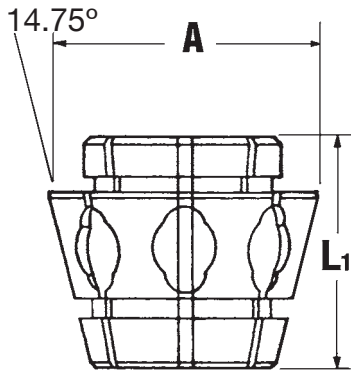
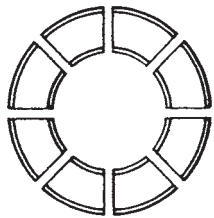
Wide Range Multibore DIN 6343 Collets



M677

L_1 = Total Length = 45.0 mm

A = Max. Dia = 85.5 mm



CLAMPING RANGE	ROUND	HEXAGON	SQUARE
Metric (mm)	Order No.	Order No.	Order No.
6 to 8	M677- R8*	M677- H8*	M677- S8*
8 to 10	M677- R10	M677- H10	M677- S10
10 to 12	M677- R12	M677- H12	M677- S12
12 to 14	M677- R14	M677- H14	M677- S14
14 to 16	M677- R16	M677- H16	M677- S16
16 to 18	M677- R18	M677- H18	M677- S18
18 to 20	M677- R20	M677- H20	M677- S20
20 to 22	M677- R22	M677- H22	M677- S22
22 to 24	M677- R24	M677- H24	M677- S24
24 to 26	M677- R26	M677- H26	M677- S26
26 to 28	M677- R28	M677- H28	M677- S28
28 to 30	M677- R30	M677- H30	M677- S30
30 to 32	M677- R32	M677- H32	M677- S32
32 to 34	M677- R34	M677- H34	M677- S34
34 to 36	M677- R36	M677- H36	M677- S36
36 to 38	M677- R38	M677- H38	M677- S38
38 to 40	M677- R40	M677- H40	M677- S40
40 to 42	M677- R42	M677- H42	M677- S42
42 to 44	M677- R44	M677- H44	-
44 to 46	M677- R46	M677- H46	-
46 to 48	M677- R48	M677- H48	-
48 to 50	M677- R50	M677- H50	-
50 to 52	M677- R52	M677- H52	-
52 to 54	M677- R54	-	-
54 to 56	M677- R56	-	-
56 to 58	M677- R58	-	-
58 to 60	M677- R60*	-	-

*Hexagon and Square collets and those marked * can only be supplied with plain bore or annular serrations, the remainder being available with spiral serrations. Please write for details for heavy duty Auto-Multibore collets.