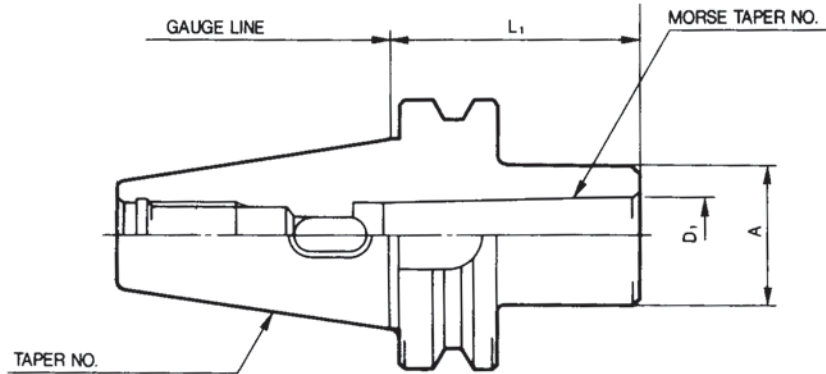


# Morse Taper Holders & Reduction Sleeves



**BT Flange Tools**



## BT

Taper	Order No.	Device Type	M.T. No.	L <sub>1</sub> (in)	D <sub>1</sub> (in)	A (in)
30	491-400	BT30 – MTA 1 – 45	1	1.77	.475	0.98
30	491-405	BT30 – MTA 2 – 60	2	2.36	.700	1.26
35	491-000*	BT35 – MTA 1 – 45	1	1.77	.475	0.98
35	491-005*	BT35 – MTA 2 – 60	2	2.36	.700	1.26
35	491-010*	BT35 – MTA 3 – 75	3	2.95	.938	1.58
40	491-100	BT40 – MTA 1 – 45	1	1.77	.475	0.98
40	491-105	BT40 – MTA 2 – 60	2	2.36	.700	1.26
40	491-110	BT40 – MTA 3 – 75	3	2.95	.938	1.58
40	491-115	BT40 – MTA 4 – 90	4	3.54	1.301	1.97
50	491-300	BT50 – MTA 1 – 45	1	1.77	.475	0.98
50	491-305	BT50 – MTA 2 – 45	2	1.77	.700	1.26
50	491-310	BT50 – MTA 3 – 45	3	1.77	.938	1.58
50	491-315	BT50 – MTA 4 – 75	4	2.95	1.301	1.97
50	491-320	BT50 – MTA 5 – 105	5	4.13	1.748	2.76

*\*While stock is still available.*



## Reduction Sleeve

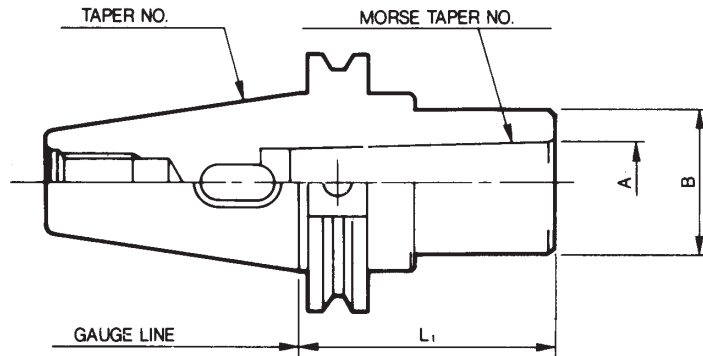
Order No.	Morse Taper		Overall Length	
	OUTSIDE	INSIDE	MM	INCHES
807-201	2	1	92	3.625
807-301	3	1	99	3.875
807-302	3	2	112	4.375
807-401	4	1	124	4.875
807-402	4	2	124	4.875
807-403	4	3	140	5.500
807-501	5	1	156	6.125
807-502	5	2	156	6.125
807-503	5	3	156	6.125
807-504	5	4	171	6.750

# Morse Taper Holders & Reduction Sleeves

TOOLHOLDERS & AUXILIARY PRODUCTS



CT Flange Tools



## CT

Taper	Order No.	Device Type	M.T. No.	L <sub>1</sub> (in)	A (in)	B (in)
40	492-100	CT40 – MT 1 – 1.50	1	1.50	0.475	1.00
40	492-105	CT40 – MT 2 – 2.00	2	2.00	0.700	1.25
40	492-110	CT40 – MT 3 – 3.00	3	3.00	0.938	1.62
40	492-115	CT40 – MT 4 – 3.50	4	3.50	1.231	2.00
45	492-220*	CT45 – MT 5 – 4.69	5	4.69	1.748	2.75
50	492-300	CT50 – MT 1 – 1.50	1	1.50	0.475	1.00
50	492-305	CT50 – MT 2 – 2.00	2	2.00	0.700	1.25
50	492-310	CT50 – MT 3 – 2.50	3	2.50	0.938	1.62
50	492-315	CT50 – MT 4 – 3.38	4	3.38	1.231	2.00
50	492-320	CT50 – MT 5 – 4.00	5	4.00	1.748	2.75

\*While stock is still available.

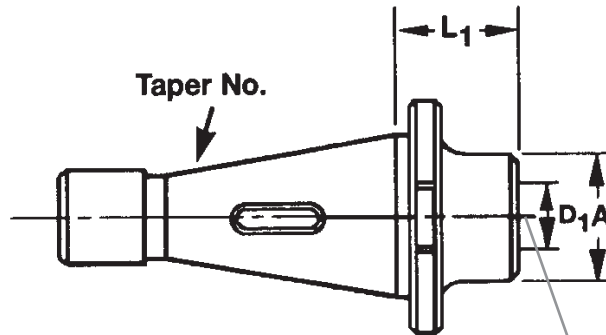


## Reduction Sleeve

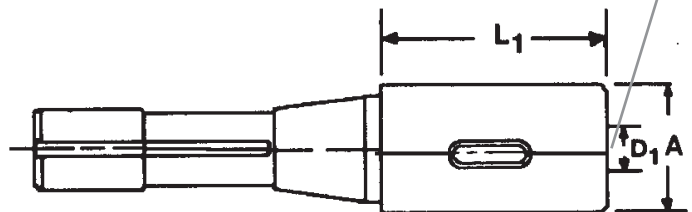
Order No.	Morse Taper		Overall Length	
	OUTSIDE	INSIDE	MM	INCHES
807-201	2	1	92	3.625
807-301	3	1	99	3.875
807-302	3	2	112	4.375
807-401	4	1	124	4.875
807-402	4	2	124	4.875
807-403	4	3	140	5.500
807-501	5	1	156	6.125
807-502	5	2	156	6.125
807-503	5	3	156	6.125
807-504	5	4	171	6.750

# Morse Taper Holders

## NMTB Taper to Morse Taper Holders



## R8 to Morse Taper Holders



## R8 & NMTB-QC Flange Tools

NMTB tool holders are qualified for use with Erickson QC spindles

Taper	Order No.	Device Type	L <sub>1</sub> (in)	D <sub>1</sub> (in)	A (in)
30	692-000	NMTB30QC-MT 1-1.00	1.00	0.475	0.98
30	692-005	NMTB30QC-MT 2-2.125	2.125	0.700	1.26
30	692-010	NMTB30QC-MT 3-2.8125	2.8125	0.938	1.58
40	692-200	NMTB40QC-MT 1-0.9375	0.9375	0.475	0.98
40	692-205	NMTB40QC-MT 2-1.750	1.750	0.700	1.26
40	692-210	NMTB40QC-MT 3-2.250	2.250	0.938	1.58
40	692-215	NMTB40QC-MT 4-3.00	3.00	1.301	1.97
50	692-405	NMTB50QC-MT 2-1.875	1.875	0.700	1.26
50	692-410	NMTB50QC-MT 3-2.375	2.375	0.938	1.58
50	692-415	NMTB50QC-MT 4-3.250	3.250	1.301	1.97
50	692-420	NMTB50QC-MT 5-4.625	4.625	1.748	2.76
R8	692-800	R8-MT 1	—	0.475	0.98
R8	692-805	R8-MT 2	—	0.700	1.26
R8	692-810	R8-MT 3	—	0.938	1.58