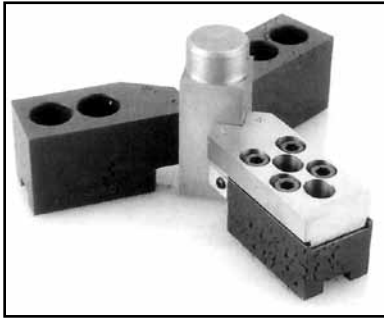


TRI Square Top Jaws

For Clamping Square Section on 3 Jaw Chucks



Tri square top jaws are adjustable hard top jaws used on three jaw chucks to clamp a range of square sections. This simple but clever top jaw system removes the need in many instances to use 2 or 4 jaw chucks for the clamping of square section.

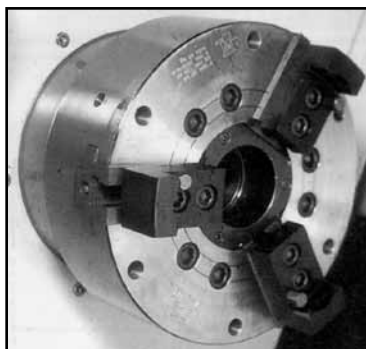
Tri square top jaws are ideal for clamping a series of square parts of different size because of the quick and easy adjustment from one size to another. Tri square top jaws allow more universal use of three jaw chucks allowing the clamping of square and round section – when using chucks as fixtures horizontally on machining centers this can save costs on special fixtures.

Techleader Part No.	Chuck Diameter	Serration	Chuck Type and A/F Clamping Range			
			HOWA H027M	HOWA H037M	KITAGAWA B	KITAGAWA B200
KS 06	160	1.5mm X 60°	10-31.5 A/F	10-31.5 A/F	10-28.0 A/F	10-31.5 A/F
KS 08	200	1.5mm X 60°	11-41.0 A/F	11-41.0 A/F	11-39.5 A/F	12-39.5 A/F
KS 10	250	1.5mm X 60°	14-45.0 A/F	14-43.0 A/F	15-40.0 A/F	14-43.0 A/F
KS 12	315	1.5mm X 60°	23-68.0 A/F	25-68.0 A/F	23-70.0 A/F	

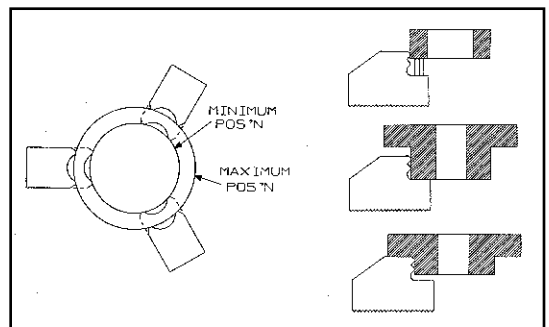
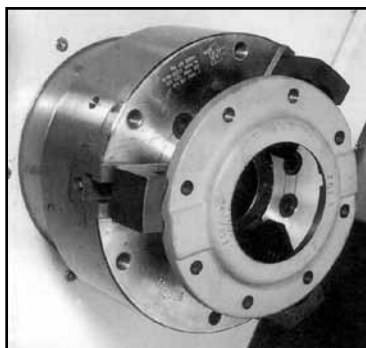
All Tri square top jaw sets are supplied fully assembled and come complete with T-nuts to suit your chuck, jaw bolts and 1 set of the required Allen keys.

Tri square top jaws for other types of chuck are available to order, plus special types to suit irregular, rectangular and polygonal shapes.

ADJUSTAGRIPS – See pages 5-17 to 5-24 & 5-36 to 5-41



- Covering chuck diameters 160 mm to 600 mm
- Gripping range from 15 mm up to 630 mm
- One set will grip various diameters
- Clamping depth varied by a range of height pins
- Radial gripping teeth for high torque and greater safety
- Manufactured in alloy steel for strength
- Lightweight for higher R.P.M.'s with more grip
- Competitively priced
- Stock or short delivery



Adjustagrip jaws give superior grip to standard hard reversible jaws and at lower cost than specially designed hard jaws.