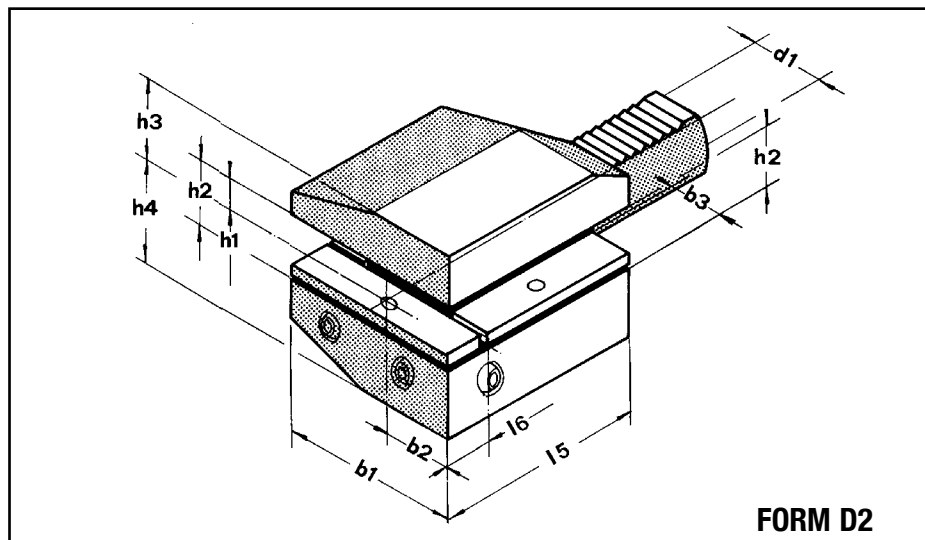


VDI Toolholders



Toolholder with parallel shank and multiple rectangular seats, upside-down



FORM D2

Order No.	Device Type	Dimensions									
		d ₁	b ₁	b ₂	b ₃	h ₁	h ₂	h ₃	h ₄	l ₅	l ₆
D230750	D2 30 x 3/4	30	70	35	14.5	3/4	29	38	35	60	25
D2401000	D2 40 x 1	40	85	42.5	19.5	1	34	48	42.5	72.5	30
D2501250	D2 50 x 1-1/4	50	100	50	24.5	1-1/4	45	60	50	84	34
D2601250	D2 60 x 1-1/4	60	125	62.5	30	1-1/4	34	62.5	62.5	109	46.5
D2801500	D2 80 x 1-1/2	80	160	80	39	1-1/2	45	80	80	140	60