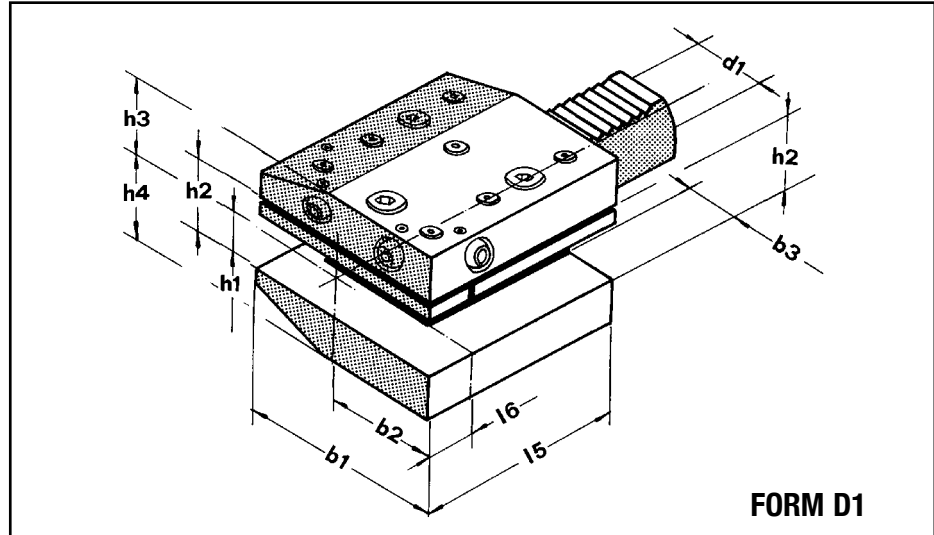


VDI Toolholders

Toolholder with parallel shank and multiple rectangular seats



Order No.	Device Type	Dimensions									
		d ₁	b ₁	b ₂	b ₃	h ₁	h ₂	h ₃	h ₄	l ₅	l ₆
D130750	D1 30 x 3/4	30	70	35	14.5	3/4	29	28	38	60	25
D1401000	D1 40 x 1	40	85	42.5	19.5	1	34	32.5	48	72.5	30
D1501250	D1 50 x 1-1/4	50	100	50	24.5	1-1/4	45	35	60	84	34
D1601250	D1 60 x 1-1/4	60	125	62.5	30	1-1/4	34	42.5	62.5	109	46.5
D1801500	D1 80 x 1-1/2	80	160	80	39	1-1/2	45	55	80	140	60