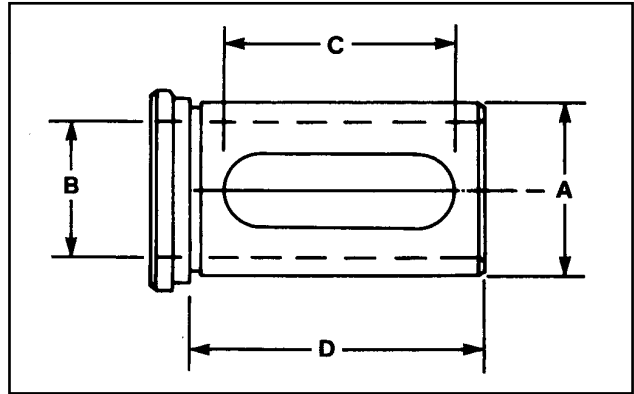


# Toolholder Bushings



**TYPE 'C'**



**Note:**  
Special bore sizes made to order

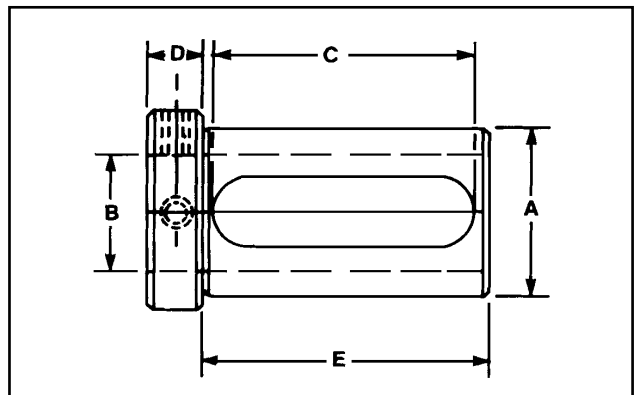
This CNC Type C Bushing is designed for universal use on all CNC turning machines. To adapt a wide variety of Boring Bars, Drills, Reamers and Shank type tools. Precision machine hardened and ground concentric. Select the O.D. size that fits your machine and order from the accompanying chart.

CNC Part Number	Bush Dia.		Standard Bore Sizes Stocked		Length of Slot	Length under head	No. of Slots	
	A		B					
	INCH	mm	INCH	mm	C	D		
CNC 86-10C	3/4	20	1/4 - 5/16 - 3/8 - 1/2		6, 8, 10, 12	1-1/2	2	1
CNC 86-11C	1	25	1/4 - 5/16 - 3/8 - 1/2 - 5/8 - 3/4		8, 10, 12, 16, 20	2-3/8	2-3/4	1
CNC 86-12C	1-1/4	32	3/8 - 1/2 - 5/8 - 3/4 - 7/8 - 1		10, 12, 16, 20, 25	2-3/4	3-1/4	1
CNC 86-13C	1-1/2	40	3/8 - 1/2 - 5/8 - 3/4 - 7/8 - 1 - 1-1/4		10, 12, 16, 20, 25, 32	3	3-3/8	1
CNC 86-14C	1-3/4	45	1/2 - 5/8 - 3/4 - 7/8 - 1 - 1-1/4 - 1-1/2		12, 16, 20, 25, 32, 40	3-1/8	3-1/2	1
CNC 86-15C	2	50	1/2 - 5/8 - 3/4 - 1 - 1-1/4 - 1-1/2 - 1-3/4		12, 16, 20, 25, 32, 40, 45	3-5/8	4	1
CNC 86-16C	2-1/2	65	3/4 - 1 - 1-1/4 - 1-1/2 - 1-3/4 - 2 - 2-1/4		20, 25, 32, 40, 45, 50	4-1/8	4-1/2	1 or 2*
CNC 86-17C	3	80	1 - 1-1/4 - 1-1/2 - 1-3/4 - 2 - 2-1/4 - 2-1/2		25, 32, 40, 50, 60, 65	4-5/8	5	1 or 2*
CNC 86-18C	3-1/2	90	1 - 1-1/4 - 1-1/2 - 1-3/4 - 2 - 2-1/4 - 2-1/2 - 3		25, 32, 40, 50, 60, 65	5	5-3/4	1 or 2*

\* ID's larger than 1-1/2" have 2 slots.



**TYPE 'Z'**  
3 Lengths Available



**Note:**  
Available in shorter and longer length under head

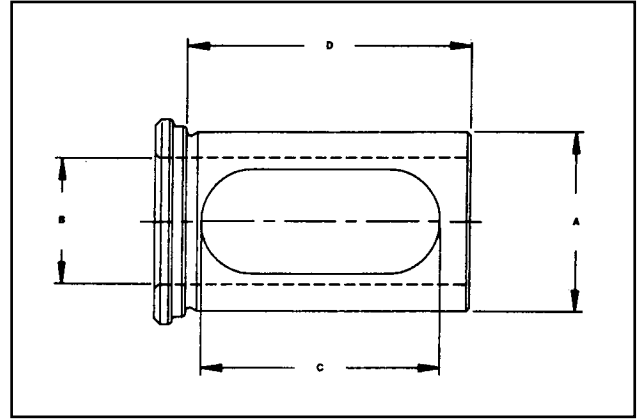
The most flexible Toolholder Bushing for all types of NC-CNC Turret Lathes and Chuckers. The elongated slots give the user a complete inter-changeability with all brands of equipment. The bushings are hardened and precision ground concentric. Can be used also for preset tooling. Select the O.D. size that fits your machine and order from the accompanying chart.

CNC Part Number	Bush Dia.		Standard Bore Sizes Stocked		Length of Slot			Head Thickness	Length under head			
	A		B		Style ZS	Style Z	Style ZL		Style ZS	Style Z	Style ZL	
	INCH	mm	INCH	mm				C				D
CNC 86-40Z	3/4	20	1/4 - 5/16 - 3/8 - 1/2		6, 8, 10, 12	2 3/8		1/2		2 1/2		
CNC 86-41Z	1	25	1/4 - 5/16 - 3/8 - 1/2 - 5/8 - 3/4		8, 10, 12, 16, 20	2 3/8		1/2		2 3/4		
CNC 86-42Z	1 1/4	32	3/8 - 1/2 - 5/8 - 3/4 - 7/8 - 1		10, 12, 16, 20, 25	1 7/8	2 5/8	3 3/8	5/8	2 1/4	3	3 3/4
CNC 86-43Z	1 1/2	40	3/8 - 1/2 - 5/8 - 3/4 - 7/8 - 1 - 1 1/4		10, 12, 16, 20, 25, 32	2 1/8	2 7/8	3 3/8	3/4	2 1/2	3 1/4	4
CNC 86-44Z	1 3/4	45	1/2 - 5/8 - 3/4 - 7/8 - 1 - 1 1/4 - 1 1/2 - 1 3/4		12, 16, 20, 25, 32, 40	2 3/8	3 3/8	3 7/8	3/4	2 3/4	3 1/2	4 1/4
CNC 86-45Z	2	50	1/2 - 5/8 - 3/4 - 7/8 - 1 - 1 1/4 - 1 1/2 - 1 3/4		12, 16, 20, 25, 32, 40, 45	2 3/8	3 1/2	4 1/8	3/4	3	3 3/4	4 1/2
CNC 86-46Z	2 1/2	65	5/8 - 3/4 - 7/8 - 1 - 1 1/4 - 1 1/2 - 1 3/4 - 2 - 2 1/4		16, 20, 25, 32, 40, 45, 50	3 1/8	3 7/8	4 5/8	3/4	3 1/2	4 1/4	5
CNC 86-47Z	3	80	1 - 1 1/4 - 1 1/2 - 1 3/4 - 2 - 2 1/4 - 2 1/2		25, 32, 40, 50, 60, 65	3 3/8	4 3/8	5 3/8	3/4	3 3/4	4 3/4	5 3/4
CNC 86-48Z	3 1/2	90	1 1/4 - 1 1/2 - 1 3/4 - 2 - 2 1/4 - 2 1/2 - 3		32, 40, 50, 60, 65	3 7/8	4 7/8	5 7/8	1	4 1/2	5 1/2	6 1/2
CNC 86-49Z	4	100	1 1/2 - 1 3/4 - 2 - 2 1/4 - 2 1/2 - 3		40, 50, 60, 65, 80	4 3/8	5 3/8	7 3/8	1	5	6 1/4	7 1/2

# Toolholder Bushings



## TYPE 'CS' Short Series



**Note:**  
Special bore sizes made to order

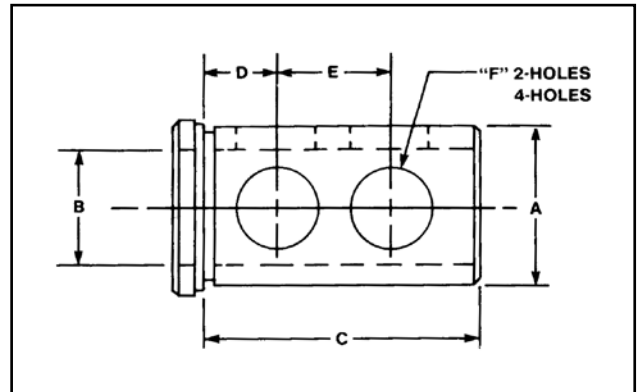
### Superior Design Premium Quality

Introducing the 'all-new' CNC Type CS Bushing designed for universal use on all CNC Turning machines. This toolholder is shorter than our standard C bushing for adaptation for a variety of Boring Bars, Drills, Reamers and Shank Type tools. The bushings are hardened & precision ground concentric. Select the O.D. size that fits your machine and order from accompanying chart

CNC Part Number	Bush Dia.		Standard Bore Sizes Stocked		Length of Slot	Length under head	
	INCH	mm	B				
			INCH	mm	C	D	
CNC 86-10CS	3/4	20	1/4 - 5/16 - 3/8 - 1/2		6, 8, 10, 12	1-1/8	1-1/2
CNC 86-11CS	1	25	1/4 - 5/16 - 3/8 - 1/2 - 5/8 - 3/4		8, 10, 12, 16, 20	1-3/8	1-3/4
CNC 86-12CS	1-1/4	32	3/8 - 1/2 - 5/8 - 3/4 - 7/8 - 1		10, 12, 16, 20, 25	1-3/4	2-1/8
CNC 86-13CS	1-1/2	40	3/8 - 1/2 - 5/8 - 3/4 - 7/8 - 1 - 1-1/4		10, 12, 16, 20, 25, 32	2-1/8	2-1/2
CNC 86-14CS	1-3/4	45	1/2 - 5/8 - 3/4 - 7/8 - 1 - 1-1/4 - 1-1/2		12, 16, 20, 25, 32, 40	2-5/8	3
CNC 86-15CS	2	50	1/2 - 5/8 - 3/4 - 1 - 1-1/4 - 1-1/2 - 1-3/4		12, 16, 20, 25, 32, 40, 45	3	3-1/2
CNC 86-16CS	2-1/2	65	3/4 - 1 - 1-1/4 - 1-1/2 - 1-3/4 - 2 - 2-1/4		20, 25, 32, 40, 45, 50	3-1/2	4
CNC 86-17CS	3	80	1 - 1-1/4 - 1-1/2 - 1-3/4 - 2 - 2-1/4 - 2-1/2		25, 32, 40, 45, 50, 60, 65	4-1/8	4-1/2
CNC 86-18CS	3-1/2	90	1 - 1-1/4 - 1-1/2 - 1-3/4 - 2 - 2-1/4 - 2-1/2 - 3		25, 32, 40, 45, 50, 60, 65	4-3/4	5-1/4



## TYPE 'J'



**Note:**  
Special bore sizes made to order

**MADE IN USA**

This Type J Toolholder Bushing, with long solid body, has clearance holes so that you can clamp directly on the tool with set screws for positive alignment of the cutting edge of the tool. They are hardened and precision ground concentric. Select the O.D. size that fits your machine and order from the accompanying chart.

CNC Part Number	Bush Dia.		Standard Bore Sizes Stocked		Special Bore sizes avail.	Length under head	Length Dimensions			Hole Size	No. Holes	
	INCH	mm	B				C	D	E			F
			INCH	mm	MIN.	MAX.						
CNC 86-01J	3/4	20	1/4 - 5/16 - 3/8 - 1/2		6, 8, 10, 12	3/16	3/8	1 1/2	3/8	1 3/16	3/8	2
CNC 86-02J	1	25	3/8 - 1/2 - 5/8 - 3/4		10, 12, 16, 20	1/4	7/8	1 3/4	7/8	1 7/8	5/8	2
CNC 86-12J	1 1/4	32	3/8 - 1/2 - 5/8 - 3/4 - 7/8 - 1		10, 12, 16, 20, 25	1/4	1 1/8	2 1/8	5/8	1	3/4	2
CNC 86-03J	1 1/2	40	3/8 - 1/2 - 5/8 - 3/4 - 7/8 - 1 - 1 1/4		10, 12, 16, 20, 25, 32	1/4	1 1/4	2 1/2	1 1/16	1 1/8	7/8	2
CNC 86-04J	1 3/4	45	1/2 - 5/8 - 3/4 - 7/8 - 1 - 1 1/4 - 1 1/2		12, 16, 20, 25, 32, 40	1/4	1 1/2	3	3/4	1 1/4	7/8	2
CNC 86-05J	2	50	1/2 - 5/8 - 3/4 - 7/8 - 1 - 1 1/4 - 1 1/2 - 1 3/4		12, 16, 20, 25, 32, 40, 45	3/8	1 3/4	3 1/2	3/4	1 1/2	1	2
CNC 86-06J	2 1/2	65	3/4 - 7/8 - 1 - 1 1/4 - 1 1/2 - 1 3/4 - 2 - 2 1/4		20, 25, 32, 40, 45, 50	1/2	2 1/4	4	7/8	1 3/4	1 1/4	2
CNC 86-07J	3	80	1 - 1 1/4 - 1 1/2 - 1 3/4 - 2 - 2 1/4 - 2 1/2		25, 32, 40, 45, 50, 60, 65	1/2	2 1/2	4 1/2	1	2	1 1/4	4
CNC 86-08J	3 1/2	90	1 - 1 1/4 - 1 1/2 - 1 3/4 - 2 - 2 1/4 - 2 1/2 - 3		25, 32, 40, 45, 50, 60, 65	3/4	3	5 1/4	1 1/4	2 1/2	1 1/4	4

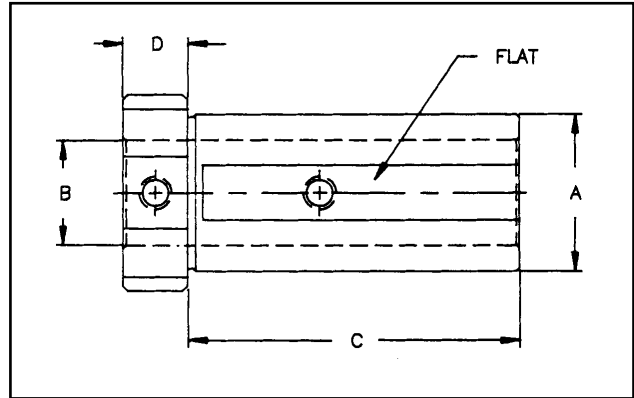
# Toolholder Bushings



## Superior Design Premium Quality

These LBF Type Bushings are manufactured with a flat for clamping the Toolholder and two set screws for clamping a variety of drills, boring bars and other shank tools. Equipped with two clearance notches for coolant and are heat treated and precision ground concentric.

## TYPE 'LBF'



**Note:**  
Special bore sizes made to order

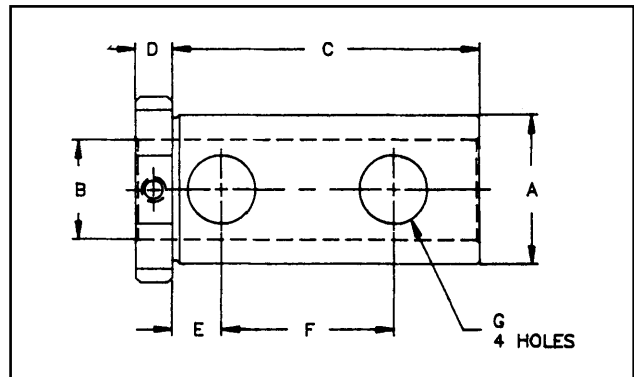
CNC Part Number	Bush Dia. A		Standard Bore Sizes Stocked B		Head Thickness D	Length Under Head C
	INCH	mm	B			
			INCH	mm	D	C
CNC 86-12LBF	1-1/4	32	1/4 - 3/8 - 1/2 - 5/8 - 3/4 - 7/8 - 1	8, 10, 12, 16, 20, 25	5/8	2-13/16
CNC 86-03LBF	1-1/2	40	1/4 - 3/8 - 1/2 - 5/8 - 3/4 - 7/8 - 1 - 1 1/4	10, 12, 16, 20, 25, 32	5/8	3-5/32
CNC 86-05LBF	2	50	1/2 - 5/8 - 3/4 - 7/8 - 1 - 1 1/4 - 1 1/2 - 1 3/4	12, 16, 20, 25, 32, 40, 45	3/4	3-3/4



## Superior Design Premium Quality

This Type LB Toolholder Bushing with long solid body, has four clearance holes so that you can clamp directly on the tool with set screws for positive alignment of the cutting edge of the tool. Manufactured to include clearance notches for coolant. They are hardened and precision ground concentric.

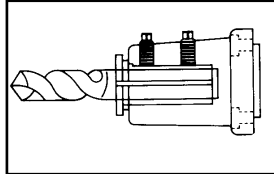
## TYPE 'LB'



**Note:**  
Special bore sizes made to order

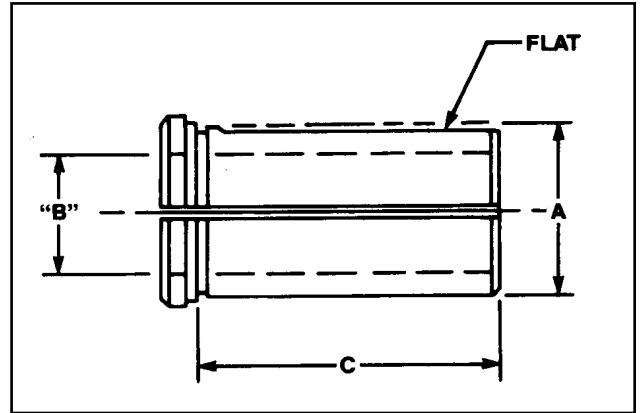
CNC Part Number	Bush Dia. A		Standard Bore Sizes Stocked B		Head Thickness D	Length Under Head C	Length Dimensions			Hole Size G
	INCH	mm	B				E	F	G	
			INCH	mm	D	C				
CNC 86-13LB	1-1/2	40	1/4 - 3/8 - 1/2 - 5/8 - 3/4 - 7/8 - 1 - 1 1/4	10, 12, 16, 20, 25, 32	3/8	3-1/8	1/2	1-3/4	5/8	

# Toolholder Bushing



**TYPE 'B'**

**Note:**  
Special bore sizes made to order



These split Type B Bushings are manufactured with flexible manufacturing systems, for all types and sizes of NC, CNC Lathes and Chucks, are heat treated and precision ground concentric. It is used to adapt drills, boring bars, and other shank tools. Select the O.D. size that fits your machine and order from the accompanying chart.

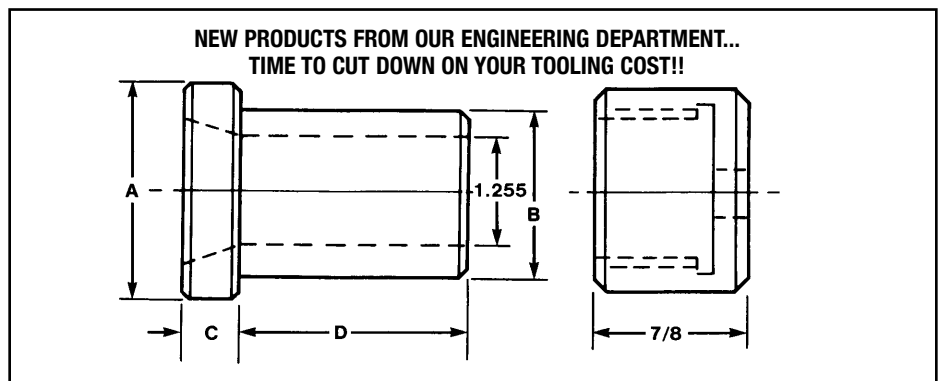
Order Number	Bush Dia.		Standard Bore Sizes Stocked		Special Bore sizes avail.		Length Under Head C
	A		B		MIN.	MAX.	
	INCH	mm	INCH	mm			
8601B	3/4	20	1/4 · 5/16 · 3/8 · 1/2	6, 8, 10, 12	3/16	5/8	1-1/2
8602B	1	25	3/8 · 1/2 · 5/8 · 3/4	10, 12, 16, 20	3/16	7/8	1-3/4
8612B	1-1/4	32	3/8 · 1/2 · 5/8 · 3/4 · 7/8 · 1	10, 12, 16, 20, 25	3/16	1	2-1/8
8603B	1-1/2	40	3/8 · 1/2 · 5/8 · 3/4 · 7/8 · 1 · 1-1/4	10, 12, 16, 20, 25, 32	3/16	1-1/4	2-1/2
8604B	1-3/4	45	1/2 · 5/8 · 3/4 · 7/8 · 1 · 1-1/4 · 1-1/2	10, 12, 16, 20, 25, 32, 40	1/4	1-1/2	3
8605B	2	50	1/2 · 5/8 · 3/4 · 7/8 · 1 · 1-1/4 · 1-1/2 · 1-3/4	12, 16, 20, 25, 32, 40	1/2	1-3/4	3-1/2
8606B	2-1/2	65	1/2 · 5/8 · 3/4 · 7/8 · 1 · 1-1/4 · 1-1/2 · 1-3/4 · 2 · 2-1/4	20, 25, 32, 40, 45, 50	1/2	2-1/4	4
8607B	3	80	1 · 1-1/4 · 1-1/2 · 1-3/4 · 2 · 2-1/4 · 2-1/2	25, 32, 40, 45, 50, 60, 65	5/8	2-1/2	4-1/2
8608B	3-1/2	90	1 · 1-1/4 · 1-1/2 · 1-3/4 · 2 · 2-1/4 · 2-1/2 · 3	25, 32, 40, 45, 50, 60, 65	5/8	3	5-1/4



**5C Collet Holder Bushing**

**Superior Design  
Premium Quality**

**This brand new 5C Collet Holder Bushing is used to adapt all kinds of Drills, Reamers, Counter Bores and End Mills to your CNC machines. Adds flexibility, versatility and reduces set-up time.**



Order Number	DIMENSIONS				
	A	B	C	D	O.D. Nut Size
885C-1500	2	1-1/2"	1/2	2-1/4	1-31/64
885C-40		40 mm			
885C-1750	2-1/4	1-3/4"	1/2	2-1/4	1-11/16
885C-45		45 mm			
885C-2000	2-1/2	2"	1/2	2-1/4	1-15/16
885C-50		50 mm			
885C-2500	3	2-1/2"	1/2	2-1/4	2-7/16
885C-65		65 mm			

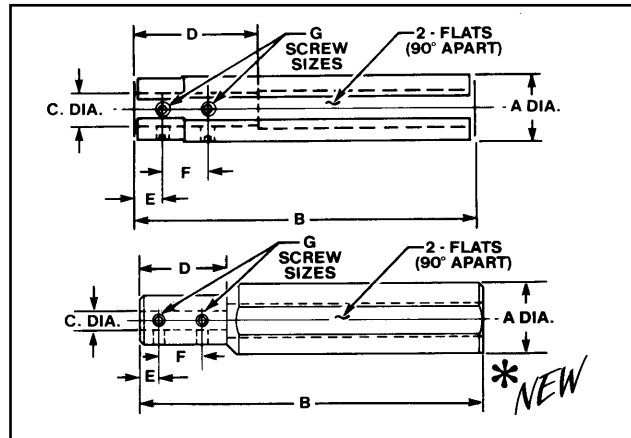
# Boring Bar Sleeves



CNC boring bar sleeves are universally used to adapt all boring bar or shank type tools to any CNC turning machines and machining centers for extensions or hard to reach areas. They are hardened, precision ground, concentric, and black oxidized for long lasting protection. Select the O.D. size, length and I.D. size from the accompanying chart

**NOTE:**  
Special O.D. and I.D. sizes made to order.  
1-1/4 diameter now available

**\* This new innovative design on the 1-1/2 O.D. boring bar sleeves helps the tools stay cool longer by projecting the coolant directly on the cutting edge.**



CNC Part Number	Dimensions								Screw Size
	A		B	C		D	E	F	
	INCH	mm		INCH	mm				
CNC 88-15	3/4	20	5	1/4	6	1-1/2	5/16	5/8	10-32
CNC 88-16	3/4	20	5	5/16	8	1-1/2	5/16	5/8	10-32
CNC 88-17	3/4	20	5	3/8	10	1-1/2	5/16	5/8	10-32
CNC 88-18	3/4	20	5	1/2	12	3	5/16	5/8	10-32
CNC 88-19	1	25	6	5/16	8	1-3/4	7/16	5/8	1/4-28
CNC 88-20	1	25	6	3/8	10	1-3/4	7/16	5/8	1/4-28
CNC 88-21	1	25	6	1/2	12	2	7/16	5/8	1/4-28
CNC 88-125	1-1/4	32	6-1/2	3/8	10	1-1/2	5/16	5/8	1/4-28
CNC 88-126	1-1/4	32	6-1/2	1/2	12	2-1/4	7/16	5/8	1/4-28
CNC 88-127	1-1/4	32	6-1/2	5/8	16	2-1/2	7/16	3/4	1/4-28
CNC 88-128	1-1/4	32	6-1/2	3/4	20	3	7/16	3/4	1/4-28
CNC 88-129	1-1/4	32	6-1/2	7/8	22	4	7/16	3/4	10-32
CNC 88-130	1-1/4	32	6-1/2	1	25	4	7/16	3/4	10-32
CNC 88-22*	1-1/2	40	7	3/8	10	2	5/16	5/8	1/4-28
CNC 88-23*	1-1/2	40	7	1/2	12	2-1/4	7/16	11/16	5/16-24
CNC 88-24*	1-1/2	40	7	5/8	16	2-1/4	7/16	3/4	5/16-24
CNC 88-25*	1-1/2	40	7	3/4	20	2-1/2	7/16	3/4	5/16-24
CNC 88-26*	1-1/2	40	8	7/8	22	3	7/16	3/4	1/4-28
CNC 88-27*	1-1/2	40	8	1	25	4	7/16	7/8	1/4-28
CNC 88-28	1-3/4	45	8	1/2	12	2-1/2	5/16	5/8	5/16-24
CNC 88-29	1-3/4	45	8	5/8	16	2-1/2	7/16	1	5/16-24
CNC 88-30	1-3/4	45	8	3/4	20	2-1/2	7/16	1	3/8-24
CNC 88-31	1-3/4	45	8	7/8	22	2-1/2	7/16	1	3/8-24
CNC 88-32	1-3/4	45	8	1	25	2-1/2	7/16	1	3/8-24
CNC 88-34	2	50	9	5/8	16	2	7/16	1	7/16-20
CNC 88-35	2	50	9	3/4	20	2-3/4	7/16	1	7/16-20
CNC 88-33	2	50	9	7/8	22	2	7/16	1	7/16-20
CNC 88-36	2	50	9	1	25	3-1/2	7/16	1	1/2-20
CNC 88-37	2	50	9	1-1/4	32	3	5/8	1	1/2-20
CNC 88-38	2-1/2	65	10	5/8	16	3-1/2	7/16	1	1/2-20
CNC 88-39	2-1/2	65	10	3/4	20	3-1/2	7/16	1	1/2-20
CNC 88-40	2-1/2	65	10	1	25	4	7/16	1	1/2-20
CNC 88-41	2-1/2	65	10	1-1/4	32	4	5/8	1	1/2-20
CNC 88-42	2-1/2	65	10	1-1/2	40	3-1/2	1/2	1	1/2-20
CNC 88-45	3	80	11-1/2	1	25	4	1/2	1	1/2-20
CNC 88-43	3	80	11-1/2	1-1/4	32	3-1/2	1/2	1	1/2-20
CNC 88-44	3	80	11-1/2	1-1/2	40	4-1/2	1/2	1	1/2-20
CNC 88-47	3	80	11-1/2	1-3/4	45	3-3/4	5/8	1-1/4	1/2-20
CNC 88-46	3	80	11-1/2	2	50	4-1/2	1/2	1	1/2-20
CNC 88-50	4	100	14	1-1/2	40	3-3/4	19/32	1-7/8	5/8-18
CNC 88-51	4	100	14	1-3/4	45	3-3/4	5/8	1-7/8	5/8-18
CNC 88-52	4	100	14	2	50	3-3/4	19/32	1-3/4	5/8-18
CNC 88-53	4	100	14	2-1/2	65	4	5/8	2	5/8-18
CNC 88-54	4	100	14	3	80	4	3/4	1-1/4	5/8-18

# Taper Drill Sockets



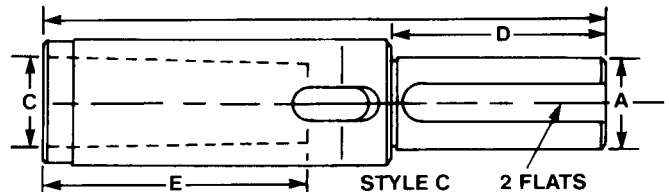
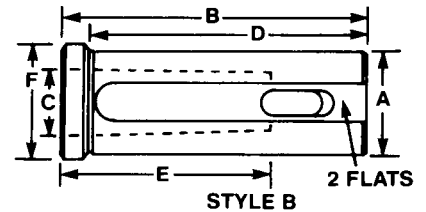
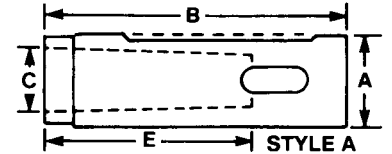
## Taper Drill Sockets

**Superior Design  
Premium Quality**

The straight shank style "A" taper drill sockets are manufactured in limited quantities and sizes. Please contact our courteous sales staff for availability and pricing information. Select the O.D. size that fits your machine and order from the accompanying chart.

### THE NEW HEADED SERIES:

All of our taper drill sockets have been redesigned with a shoulder, as a "B" style, to further insure correct depth of the drilling operation. This new style also provides safety for secondary operations such as boring and reaming. It is held with set screws on two flats, so that it will never push back or turn. Our taper drill sockets are hardened, precision ground, and concentric within .0002 of an inch. They fit directly into toolholders and turrets to positively drive all morse taper shank tools, drills, reamers, and counterbores.



**NOTE: Specials made to order**

CNC Part Number	Style	Shank Dia A		B	Morse Taper C	D	E	F
		IN.	mm					
CNC 86-01-1	A	3/4	20	3-1/4	No. 1	2-5/16	2-3/16	1
CNC 86-02-1	B	1	25	3-3/4	No. 1	3-1/8	2-3/16	1-1/4
CNC 86-02-2	B	1	25	3-3/4	No. 2	3-1/8	2-5/8	1-1/4
CNC 86-03-1	B	1-1/4	32	4	No. 1	3-3/8	2-3/16	1-1/2
CNC 86-03-2	B	1-1/4	32	4	No. 2	3-3/8	2-5/8	1-1/2
CNC 86-03-3	B	1-1/4	32	4	No. 3	4	3-1/4	1-1/2
CNC 86-04-1	B	1-1/2	40	5	No. 1	4-3/8	2-3/16	1-3/4
CNC 86-04-2	B	1-1/2	40	5	No. 2	4-3/8	2-5/8	1-3/4
CNC 86-04-3	B	1-1/2	40	5	No. 3	4-3/8	3-1/4	1-3/4
CNC 86-04-4	B	1-1/2	40	5-3/4	No. 4	4-3/8	4-1/8	1-3/4
CNC 86-05-1	B	1-3/4	45	5-3/4	No. 1	5-1/8	2-3/16	2
CNC 86-05-2	B	1-3/4	45	5-3/4	No. 2	5-1/8	2-5/8	2
CNC 86-05-3	B	1-3/4	45	5-3/4	No. 3	5-1/8	3-1/4	2
CNC 86-05-4	B	1-3/4	45	5-3/4	No. 4	4-3/8	4-1/8	2
CNC 86-06-5	C	1-3/4	45	11-1/8	No. 5	4-1/4	5-1/4	1-3/8
CNC 86-07-2	B	2	50	6-1/8	No. 2	5-1/2	2-5/8	2-1/4
CNC 86-07-3	B	2	50	6-1/8	No. 3	5-1/2	3-1/4	2-1/4
CNC 86-07-4	B	2	50	6-1/8	No. 4	5-1/2	4-1/8	2-1/4
CNC 86-08-5	C	2	50	11-1/8	No. 5	4-1/4	5-1/4	2-3/8
CNC 86-09-2	B	2-1/2	65	5-3/4	No. 2	5-1/8	2-5/8	2-3/4
CNC 86-09-3	B	2-1/2	65	6-5/8	No. 3	6	3-1/4	2-3/4
CNC 86-09-4	B	2-1/2	65	6-5/8	No. 4	6	4-1/8	2-3/4
CNC 86-09-5	B	2-1/2	65	7-5/8	No. 5	7	5-1/4	2-3/4
CNC 86-11-4	B	3	80	6-5/8	No. 4	6	4-1/8	3-3/8
CNC 86-12-5	B	3	80	7-5/8	No. 5	7	5-1/4	3-3/8
CNC 86-13-4	B	2-1/4	60	6-5/8	No. 4	6	4-1/8	2-1/2
CNC 86-14-5	B	2-1/4	60	7-5/8	No. 5	7	5-1/4	2-1/2
CNC 86-15-4	B	2-3/4	70	6-5/8	No. 4	6	4-1/8	3
CNC 86-16-5	B	2-3/4	70	7-5/8	No. 5	7	5-1/4	3