

**Leading the Way... In 21<sup>st</sup> Century CNC Tooling Technology!**



**CT40 & CT50 ER COLLET CHUCKS**

**CT40 BALANCED 20,000 RPMS G2.5 AT3 GROUND FINISH SHANKS**

PART NO.	DESCRIPTION	REGULAR LIST PRICES	SALE PRICE
484-116	CT40-ER16 - 2.50"	<del>\$106.25</del>	<b>\$76.50*</b>
484-117	CT40-ER16 - 4.00"	<del>\$113.25</del>	<b>\$85.50*</b>
484-120	CT40-ER20 - 3.00"	<del>\$110.25</del>	<b>\$80.75*</b>
484-125	CT40-ER25 - 3.00"	<del>\$113.75</del>	<b>\$83.25*</b>
484-132	CT40-ER32 - 3.00"	<del>\$125.50</del>	<b>\$84.25*</b>

**CT50 BALANCED 15,000 RPMS G2.5 AT3 GROUND FINISH SHANKS**

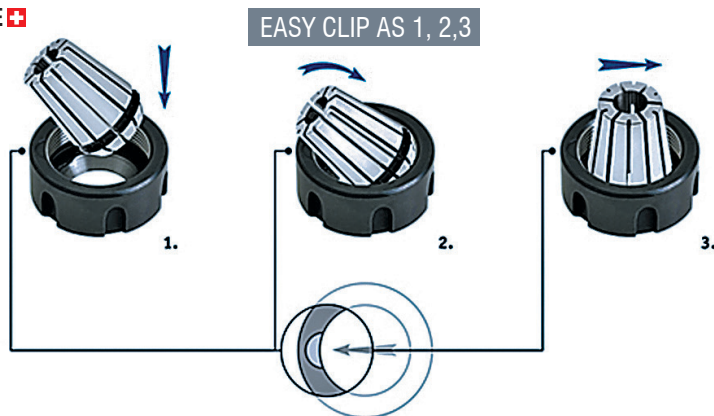
PART NO.	DESCRIPTION	REGULAR LIST PRICES	SALE PRICE
484-316	CT50-ER16 - 4.00"	<del>\$148.25</del>	<b>\$113.50*</b>
484-317	CT50-ER16 - 6.00"	<del>\$162.75</del>	<b>\$131.00*</b>
484-332	CT50-ER32 - 4.00"	<del>\$165.50</del>	<b>\$118.00*</b>
484-333	CT50-ER32 - 6.00"	<del>\$170.00</del>	<b>\$135.50*</b>

*Special prices on other gauge lines available and also for BT30 & BT40 ER collet chucks*

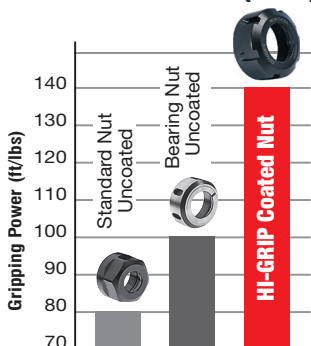
**ER HI-GRIP COATED BALANCED NUTS SWISS MADE**

Special Features Include:

- Easy clip design for putting in and taking out collet
- Balanced for high speed cutting
- HI-GRIP Coating to increase gripping power
- Improves Collet Runout



**HI-GRIP POWER TEST (ft/lbs)**



Each nut was tightened to 70 ft/lbs recommended torque before break-free testing of holding power

**ER HI-GRIP COATED BALANCED NUTS**

PART NO:	SALE PRICE
016-000NHC (ER16 NUT) .....	<b>\$26.60 ea.</b>
021-000NHC (ER20 NUT) .....	<b>\$28.20 ea.</b>
025-000NCC (ER25 NUT) .....	<b>\$31.00 ea.</b>
032-000NCC (ER32 NUT) .....	<b>\$32.40 ea.</b>

**ER STANDARD PRECISION COLLETS**

PART NO:	SALE PRICE
ER16 .....	<b>\$11.00 ea.</b>
ER20.....	<b>\$11.60 ea.</b>
ER25.....	<b>\$11.80 ea.</b>
ER32.....	<b>\$12.60 ea.</b>

5um/0.0002" TIR Collets available on request.