

4-JAW OPEN CENTER POWER CHUCK

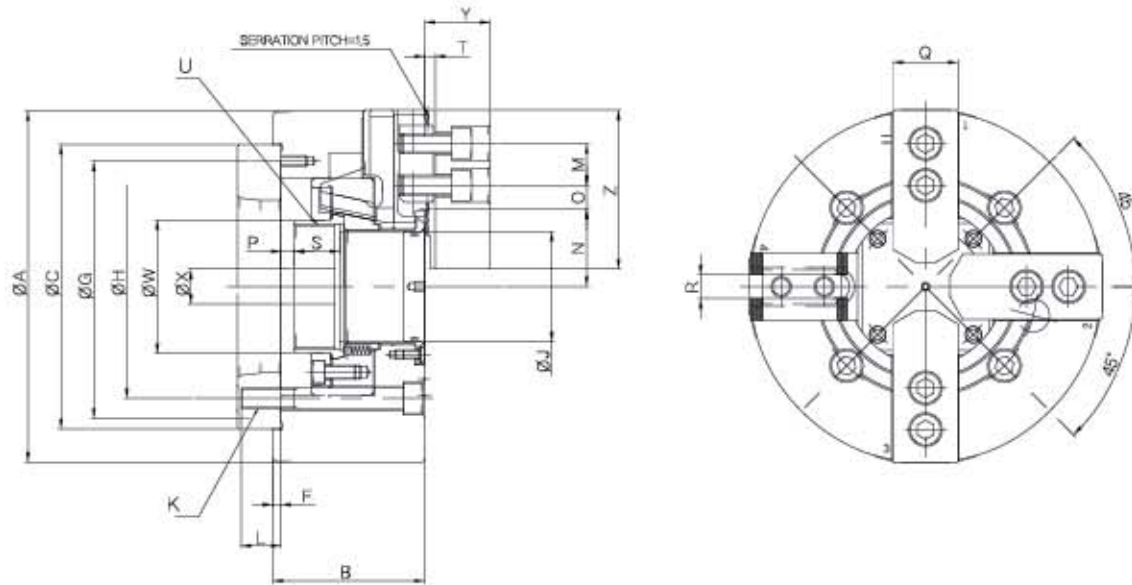
4爪中空型动力卡盘 / 4-조 중공형 파워 척

1. This is a standard chuck style of 4-Jaws Hollowness oil pressure Chuck.
2. It is using to clamping of the square materials or deformed materials. And also, it using at the important time of rounding materials out of roundness shape degree.

1. 是标准卡盘结构的四爪中空油压卡盘.
2. 在夹紧四角、异型工件或对圆形工件的圆度要求较高时使用.

1. 표준척 형식의 4-JAW 중공 유압 CHUCK 입니다.
2. 4각 소재 또는 이형 가공물을 CLAMP할 때 사용되며, 원형 소재의 진원도 향상정도가 중요 할 때도 사용됩니다.

Outward Drawing • 外形图 • 외형도



Dimension • 尺寸 • 치수표

Model	Symbol	A	B	C ₉₀	F	G	H	J	K	L	M	N _{max}	N _{min}	O _{max}	O _{min}	P _{max}	P _{min}	Q	R	S	T	U _{max}	V	W	X	Y	Z
CAHF 08		210	91	170	5	150	133.4	52	4-M12	18	25	41.7	37.9	27	10	16.5	-1.5	39	14	20.5	2	M60X2	3-M6	66	30	39	95
CAHF 10		254	100	220	5	190	171.4	77	4-M16	24	30	54.5	50.3	31	12	9.5	-10.5	44	16	27	2	M85X2	3-M8	94	30	46	110
CAHF 12		304	115	220	6	190	171.4	91	4-M16	25	30	67.4	62.3	42	12	10	-14	50	21	28	2	M100X2	3-M8	108	30	51.8	111
CAHF 15		381	133	300	6	260	235	118	4-M20	28	43	82	76.7	43.8	18.3	11	-12	62	22	39	5	M130X2	3-M10	139	60	70	165
CAHF 18		450	133	380	6	320	235	118	4-M20	28	43	82	76.3	73.8	18.3	11	-12	62	22	39	5	M130X6	3-M10	139	60	70	165
CAHF 21		530	140	380	6	330.2	330.2	140	4-M22	34	60	98.5	93.2	87.5	21.5	11	-12	65	25	39	5	M155X3	3-M12	166	80	73	180
CAHF 24		610	149	380	6	330.2	330.2	165	4-M22	35	60	108.4	103.2	117.5	21.5	20	-3	65	25	40	5	M175X3	3-M12	187	80	73	180

Specifications • 规格 • 사양표

Model	Spec.	Thru-hole (diameter) mm	Jaw stroke (diameter) mm	Plunger Stroke mm	Gripping Dia mm		Max. permissible input force KN(kgf)	Max. static gripping force KN(kgf)	Max. permissible speed r.p.m	Weight (With standard soft jaws) kg	GD ² N-m ² (Kg-f-m ²)	Matching cylinder
					Max	Min						
CAHF 08		52	76	18	210	11	40(4080)	94(9597)	5000	23.6	6.90(0.71)	YAH-08
CAHF 10		77	8.5	20	254	31	50(5100)	125(12740)	4200	40	12.65(1.29)	YAH-10
CAHF 12		91	10.2	24	304	34	58(5916)	147(15000)	3300	64	30.00(3.06)	YAH-12
CAHF 15		118	10.6	23	381	30	71(7240)	180(18355)	2500	127	93.55(9.54)	YAH-15
CAHF 18		118	10.6	23	450	30	71(7240)	180(18355)	2000	178	187.30(19.1)	YAH-15
CAHF 21		140	10.6	23	530	87	90(9177)	234(23861)	1700	246	362.83(37.0)	YAH-21
CAHF 24		165	10.4	23	610	110	90(9177)	234(23861)	1400	304	660.94(66.4)	YAH-21

4-JAW CLOSED CENTER POWER CHUCK

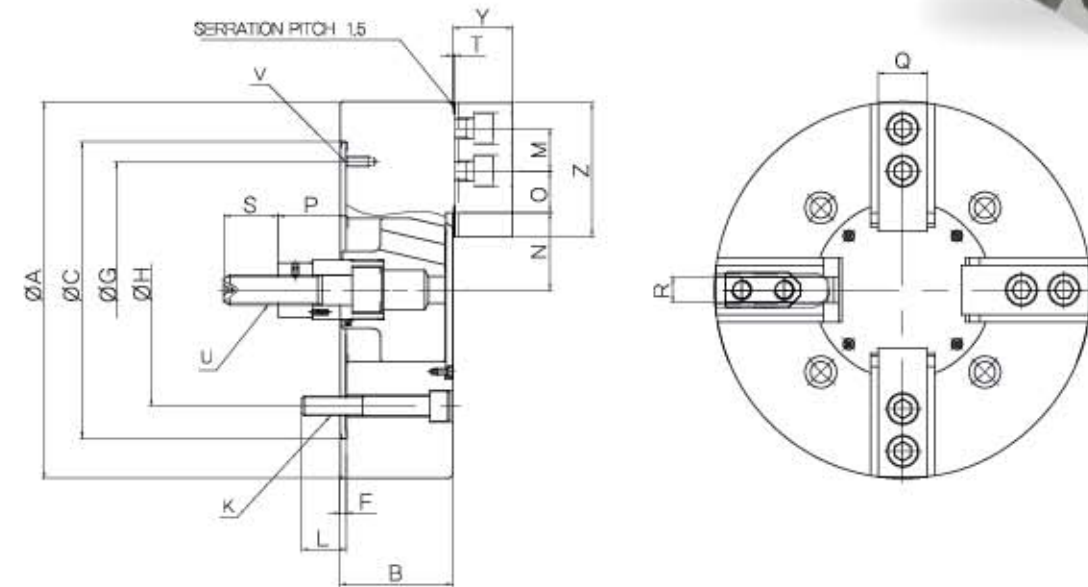
4爪中实型动力卡盘 / 4-조 중실형 파워 척

1. This is a standard chuck style of 4-Jaws Hollowness oil pressure Chuck.
2. It is using to clamping of the square materials or deformed materials. And also, it using at the important time of rounding materials out of roundness shape degree.

1. 标准卡盘结构的四爪中实油压卡盘.
2. 在夹紧四角、异型工件或对圆形工件的圆度要求较高时使用.

1. 표준척 형식의 4-JAW 중실 유압 CHUCK 입니다.
2. 4각 소재 또는 이형 가공물을 CLAMP할 때 사용되며, 원형 소재의 진원도 향상정도가 중요 할 때도 사용됩니다.

Outward Drawing • 外形图 • 외형도



Dimension • 尺寸 • 치수표

Model	Symbol	A	B	C ₉₀	F	G	H	K	L	M	N _{max}	N _{min}	O _{max}	O _{min}	P _{max}	P _{min}	Q	R	S	T	U _{max}	V	Y	Z
CASF 08		210	85	170	5	150	133.4	4-M12	15	25	46.5	41.9	22.5	9	127	106	39	14	36	5	M20	4-M6	43	95
CASF 10		254	89	220	5	190	171.4	4-M16	18	30	51.1	46.7	30.7	11.2	158	133	44	16	36	5	M20	4-M8	50	110
CASF 12		304	106	220	6	190	171.4	4-M16	18	30	61	55.7	48.7	12.7	163	133	50	18	36	5	M20	4-M8	54	111
CASF 15 A8		381	114	300	6	260	171.4	4-M16	22.5	50	74.5	65.2	54.5	21.5	35	0	65	26	50	2	M30	4-M10	72	156
CASF 15 A11		381	114	300	6	260	235	4-M20	26	50	74.5	65.2	54.5	21.5	35	0	65	26	50	2	M30	4-M10	72	156
CASF 18 A8		457	114	300	6	320	171.4	4-M16	22.5	50	74.5	65.2	90.5	21.5	35	0	65	26	50	2	M30	4-M12	72	156
CASF 18 A11		457	114	300	6	320	235	4-M20	26	50	74.5	65.2	90.5	21.5	35	0	65	26	50	2	M30	4-M12	72	156
CASF 21 A11		530	125	380	6	330.2	235	4-M20	26	50	101.5	92.2	100.5	21.5	35	0	65	26	55	3	M30	4-M12	73	180
CASF 21 A15		530	125	380	6	330.2	330.2	4-M22	31	50	101.5	92.2	100.5	21.5	35	0	65	26	55	3	M30	4-M12	73	180
CASF 24 A11		610	125	380	6	330.2	235	4-M20	26	50	101.5	92.2	136.5	21.5	35	0	65	26	55	3	M30	4-M12	73	180
CASF 24 A15		610	125	380	6	330.2	330.2	4-M22	31	50	101.5	92.2	136.5	21.5	35	0	65	26	55	3	M30	4-M12	73	180

Specifications • 规格 • 사양표

Model	Spec.	Jaw stroke (diameter) mm	Plunger Stroke mm	Gripping Dia mm		Max. permissible input force KN(kgf)	Max. static gripping force KN(kgf)	Max. permissible speed r.p.m	Weight (With standard soft jaws) kg	GD ² N-m ² (Kg-f-m ²)	Matching cylinder
				Max	Min						
CASF 08		8.8	21	210	23	28(2856)	80(8160)	4800	26	5.39(0.55)	YAS-125
CASF 10		8.8	25	254	24	32.5(3315)	115(11730)	4100	37.7	11.17(1.20)	YAS-125
CASF 12		10.5	30	304	26	41.5(4233)	156(16014)	3400	59.4	28.44(2.90)	YAS-150
CASF 15		18.6	35	381	60	73.5(7438)	147(14876)	2100	102.5	69.6(7.12)	YAS-200
CASF 18		18.6	35	457	60	73.5(7438)	147(14876)	1700	128.5	135.32(13.8)	YAS-200
CASF 21		18.6	35	530	110	98.1(9927)	194(19632)	1500	186.4	268.68(27.4)	YAS-200
CASF 24		18.6	35	610	110	98.1(9927)	194(19632)	1200	229.4	456.2(46.52)	YAS-200