



**1. Economical Model** It is the most economical model without through-hole in the chuck, and used when not passing a bar work. **2. High Speed** Strong gripping force and safety of performance are secured by optimal design and high speed rotation is achieved. **3. Durability** Heat treatment is performed to alloy steel, and high accuracy, strength and durability are realized by improving lubrication system. **4. Compatibility** The same soft jaws and hard jaws as those of big bore chuck are applied in order to secure mutual compatibility.

**1. 경제형** : 此型号卡盘没有通孔, 可在加工工件无须穿入卡盘的情况下使用, 是最经济的型号。  
**2. 速度快** : 其最佳设计确保了强大的夹紧力及高速运转的安全性。  
**3. 耐磨损** : 此卡盘以经过特殊热处理的合金钢为材质, 通过改善润滑条件, 使其具备高精度, 高强度和高耐磨的特性。  
**4. 兼容性** : 此卡盘具有与大通孔卡盘相同的软爪和硬爪, 因此具有兼容性。

1. 경제적인 모델 2. 고속화 실현 3. 내구성 확보 4. 호환성 확보  
 1. 경제적인 모델 2. 고속화 실현 3. 내구성 확보 4. 호환성 확보

### Specifications / 规格/仕様表/ 사양표

Spec.사양 Model형식	Order NO. 오더번호	Spindle nose NO. 주축규격	Jaw stroke (Diameter) 요스트로크(직경)mm	Plunger stroke 플런저 스트로크 mm	Gripping Dia.(Extend gripping) 파악경(외경파악)mm		Max. permissible input force / 허용 실린더력 KN(kgf)
					Max 최대	Min 최소	
CAS-04	10104	-	5	15	110	6	4.4(4.45)
CAS-05	10105	-	5	15	135	15	6.4(6.47)
CAS-06	1AS06	A2-5	9.2	20	165	19	19(19.38)
CAS-08	1AS08	A2-6	8.8	21	210	23	28(28.56)
CAS-10	1AS10	A2-8	8.8	25	254	24	32.5(33.15)
CAS-12	1AS12	A2-8	10.5	30	304	26	41.5(42.33)
CAS-15	1AS15	A2-8, 11	16	35	381	60	81.9(83.62)
CAS-18	1AS18	A2-8, 11	16	35	450	140	81.9(83.62)
CAS-21	1AS21	A2-11, 15	16	35	530	82	81.9(83.62)
CAS-24	1AS24	A2-11, 15	16	35	610	170	81.9(83.62)
CAS-32	1AS32	-	20.6	38	800	211	100(102.00)
CAS-32 HC	1AS32 HC	-	30+(30)	38	800	296	119(122.32)
CAS-40	1AS40	-	30.5	57	1000	330	161(164.50)
CAS-40 HC	1AS40 HC	-	46+(30)	60	1000	187	161(164.50)
CAS-50	1AS50	-	30.5	57	1250	330	161(164.50)
CAS-50 HC	1AS50 HC	-	46+(30)	60	1250	187	180(183.67)
CAS-63	1AS63	-	48	60	1600	-	180(183.67)

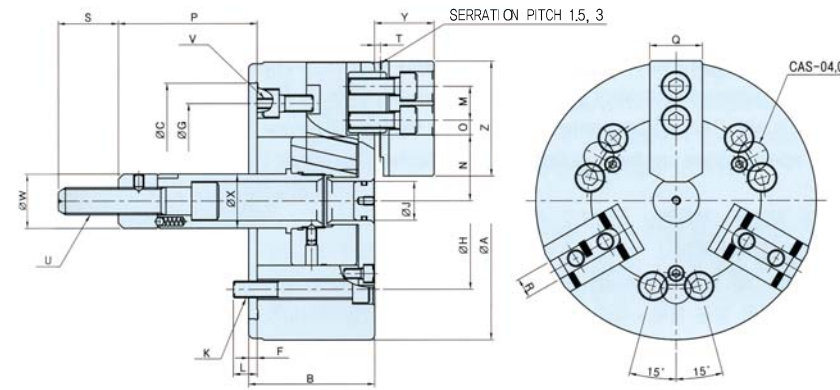
Spec.사양 Model형식	Max. static gripping force 최대 정적파악력 KN(kgf)	Max. permissible speed 최고 사용회전수 r.p.m(min <sup>-1</sup> )	Weight (With standard soft jaws) / 중량 (표준 소프트 죠 포함) kg	GD <sup>2</sup> Moment of inertia N·m <sup>2</sup> (kgf·m <sup>2</sup> )	Matching cylinder 적용실린더	Matching hard jaw 적용하드 죠	Matching soft jaw 적용소프트 죠
CAS-05	17.7(1791)	5000	6	0.56(0.06)	YAS, C, P, T-80	-	SJ-05 A1
CAS-06	63(6426)	6000	13	1.77(0.18)	YAS, C, P, T-100	HJ-06 T1	SJ-06 T1
CAS-08	80(8160)	4800	25	5.39(0.55)	YAS, C, P, T-125	HJ-08 T1	SJ-08 T1
CAS-10	115(11730)	4100	37	11.17(1.20)	YAS, C, P, T-125	HJ-10 T1	SJ-10 T1
CAS-12	156(16014)	3400	57.3	28.44(2.90)	YAS, C, P, T-150	HJ-12 A1	SJ-12 T1
CAS-15	248(35391)	3040	96	70.5(7.2)	YAS, C, P, T-200	HJ-15 A3	SJ-15 A3
CAS-18	248(35391)	2710	131	95(9.7)	YAS, C, P, T-200	HJ-15 A3	SJ-15 A3
CAS-21	272(27838)	1940	198	188.2(19.2)	YAS, C, P, T-200	HJ-21 B1	SJ-21 A1
CAS-24	272(27838)	1760	223	67.8(6.92)	YAS, C, P, T-200	HJ-21 B1	SJ-21 A1
CAS-32	240(24490)	900	341	23.8(2.43)	YASTL-200	HJ-32 A1	SJ-32 A1
CAS-32 HC	214(21916)	800	350	23.8(2.43)	YASTL-200	HJ-32 A1	SJ-32 A1
CAS-40	361(36836)	630	670	68(7.03)	YAST-245	HJ-40 A1	SJ-40 A1
CAS-40 HC	320(32653)	630	670	68(7.03)	YAST-245	HJ-40 A2	SJ-40 A2
CAS-50	361(36836)	500	800	145(14.78)	YAST-245	HJ-40 A1	SJ-40 A1
CAS-50 HC	320(32653)	500	800	145(14.78)	YAST-245	HJ-40 A2	SJ-40 A2
CAS-63	320(32653)	280	1600	500(50.97)	YAST-245	-	-

### Short taper mount

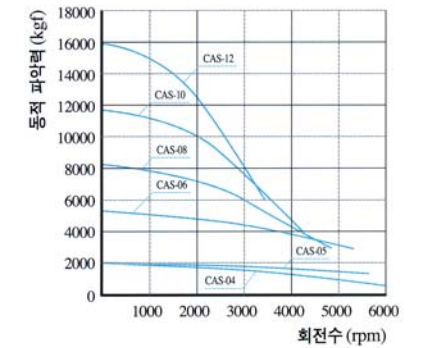
Spec.사양 Model형식	Order NO. 오더번호	Spindle nose NO. 주축규격	Jaw stroke (Diameter) 요스트로크(직경)mm	Plunger stroke 플런저 스트로크 mm	Gripping Dia.(Extend gripping) 파악경(외경파악)mm		Max. permissible input force / 허용 실린더력 KN(kgf)
					Max 최대	Min 최소	
CAS-15 A8	1AS15 A8	A2-8	18.6	35	381	60	73.5(74.38)
CAS-15 A11	1AS15 A11	A2-11	18.6	35	381	60	73.5(74.38)
CAS-18 A8	1AS18 A8	A2-8	18.6	35	457	60	73.5(74.38)
CAS-18 A11	1AS18 A11	A2-11	18.6	35	457	60	73.5(74.38)
CAS-21 A11	1AS21 A11	A2-11	18.6	35	530	110	98.1(99.27)
CAS-21 A15	1AS21 A15	A2-15	18.6	35	530	110	98.1(99.27)
CAS-24 A11	1AS24 A11	A2-11	18.6	35	610	110	98.1(99.27)
CAS-24 A15	1AS24 A15	A2-15	18.6	35	610	110	98.1(99.27)

Spec.사양 Model형식	Max. static gripping force 최대 정적파악력 KN(kgf)	Max. permissible speed 최고 사용회전수 r.p.m(min <sup>-1</sup> )	Weight (With standard softjaws) / 중량 (표준 소프트 죠 포함) kg	GD <sup>2</sup> Moment of inertia N·m <sup>2</sup> (kgf·m <sup>2</sup> )	Matching cylinder 적용실린더	Matching hard jaw 적용하드 죠	Matching soft jaw 적용소프트 죠
CAS-15 A11	147(14876)	2100	98	69.6(7.12)	YAS, C, P, T-200	HJ-15A1	SJ-15A2
CAS-18 A8	147(14876)	1700	132	135.32(13.8)	YAS, C, P, T-200	HJ-15A1	SJ-15A2
CAS-18 A11	147(14876)	1700	132	135.32(13.8)	YAS, C, P, T-200	HJ-15A1	SJ-15A2
CAS-21 A11	194(19632)	1500	195	268.68(27.4)	YAS, C, P, T-200	-	SJ-21A2
CAS-21 A15	194(19632)	1500	195	268.68(27.4)	YAS, C, P, T-200	-	SJ-21A2
CAS-24 A11	194(19632)	1200	250	456.2(46.52)	YAS, C, P, T-200	-	SJ-21A2
CAS-24 A15	194(19632)	1200	250	456.2(46.52)	YAS, C, P, T-200	-	SJ-21A2

### Outward Drawing / 外形图/外形图/ 외형도



### Dynamic Gripping Force / 动态夹持力/動的把握力/ 동적 파악력 선도



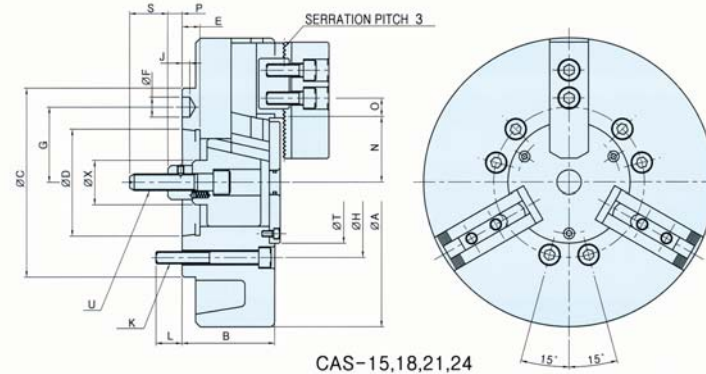
### Dimension / 尺寸/寸法表/ 치수표

Model형식	A	B	C	F	G	H	J	K	L	M	Nmax	Nmin	Omax	Omin	Pmax	Pmin	Q	R	S	T	U	V	W	X	Y	Z
CAS-04	110	52	60	6	-	80	-	3-M8	165	14	26	235	10	7	5	-10	25	10	25	3	M10X1.5	-	25	-	27	54
CAS-05	135	52	80	7	-	100	-	3-M8	165	19	32	295	11.5	7	9	-6	25	10	36	3	M12X1.75	-	28	-	27	58.5
CAS-06	169	74	140	5	116	104.8	23	6-M10	14	20	41	367	13	7	101.5	81.5	31	12	36	4	M16X2.0	3-M6	32	32	35	72
CAS-08	210	85	170	5	150	133.4	28	6-M12	15	25	463	419	22.5	9	127	106	39	14	36	5	M20X2.5	3-M6	38	38	43	95
CAS-10	254	89	220	5	190	171.4	34	6-M16	18	30	511	467	30.7	11.2	133	44	16	36	5	M20X2.5	3-M8	38	44	50	110	
CAS-12	304	106	220	6	190	171.4	39	6-M16	18	30	61	557	48.7	12.7	183	133	50	18	36	5	M20X2.5	3-M8	38	50	54	111
CAS-15	381	114	300	6	260	235	27	6-M20	20	43	73	65	54.7	15.7	104	69	50	25.5	55	6	M30X3.5	3-M10	55	60	60	135
CAS-18	450	114	300	6	260	235	27	6-M20	20	43	1065	985	48.5	23.2	92	57	50	25.5	55	6	M30X3.5	3-M10	55	60	60.3	135
CAS-21	530	125	380	6	330	330	27	6-M20	30	60	86	78	93.5	27.5	97	62	65	25	55	6	M30X3.5	3-M12	55	60	71	180
CAS-24	610	125	380	6	330	330	27	6-M20	30	60	1245	1165	93.5	27.5	97	62	65	25	55	6	M30X3.5	3-M12	55	60	71	180
CAS-32	800	150	380	6	-	330	-	6-M24	31	76	88	777	-	-	35	-3	75	25.5	60	8	M30X3.5	-	55	114	83	165
CAS-32HC	800	150	380	6	-	330.2	-	6-M24	30	76.2	172	1255	-	-	35	-3	75	25.5	65	11	M30X3.5	-	55	114	83	165
CAS-40	1000	180	520	8	-	510	-	6-M24	34	100	145	1298	-	-	53	-3	98	30	65	-4	M36X4.0	-	60	-	106	200
CAS-40HC	1000	180	460	8	-	463.6	-	6-M24	32	152.4	207	154	-	-	35	-25	110	30	68	0	M36X4.0	-	60	-	110	270
CAS-50	1250	180	520	8	-	464	-	6-M24	32	100	145	1298	-	-	35	-22	98	30	68	-4	M36X4.0	-	60	-	106	200
CAS-50HC	1250	180	520	8	-	463.6	-	6-M24	32	152.4	207	154	-	-	35	-25	110	30	68	-4	M36X4.0	-	60	-	106	270
CAS-63	1600	220	720	8	-	648	-	6-M30	46	-	-	-	-	-	13	-47	-	-	-	-	-	-	-	-	-	-

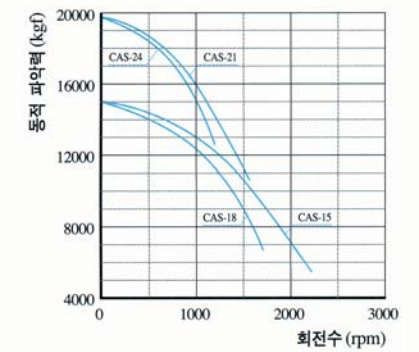
- CAS-32인치 이상은 Soft Jaw 체결부가 Key-Type입니다.
- Soft jaw for larger size than CAS-32 : Key mount type.
- CAS-32인치 이상은 생爪의締結部가 Key-Type입니다.
- CAS-32HC 인치는 미세 조정형 Type입니다.
- CAS-40HC : Combination Type.
- CAS-50HC 인치는 미세 조정형 Type입니다.
- CAS-50HC 인치는 미세 조정형 Type입니다.

### Outward Drawing / 外形图/外形图/ 외형도

#### Short taper mount



### Dynamic Gripping Force / 动态夹持力/動的把握力/ 동적 파악력 선도



### Dimension / 尺寸/寸法表/ 치수표

Model형식	A	B	C	D	E	F	G	H	J	K(ANSI)	K(JIS)	L(ANSI)	L(JIS)	Nmax	Nmin	Omax	Omin	Pmax	Pmin	S	T	U	V	X
CAS-15 A8	381	125	225	139714	20	24.21	85725	171.45	8	5/8-11UNC	6-M16	24	22.5	74.5	652	54.5	21.5	35	0	50	175	M27X3.0	65	63
CAS-15 A11	381	125	280	196864	20	29.36	117.5	235	10	3/4-10UNC	6-M20	23	26	74.5	652	54.5	21.5	35	0	50	175	M27X3.0	65	63
CAS-18 A8	457	125	225	139714	20	24.21	85725	171.45	8	5/8-11UNC	6-M16	24	22.5	74.5	652	90.5	21.5	35	0	50	175	M27X3.0	120	63
CAS-18 A11	457	125	280	196864	20	29.36	117.5	235	10	3/4-10UNC	6-M20	23	26	74.5	652	90.5	21.5	35	0	50	175	M27X3.0	100	63
CAS-21 A11	530	140	280	196864	20	29.36	117.5	235	10	3/4-10UNC	6-M20	33.4	31	101.5	922	100.5	21.5	35	0	55	220	M30X3.5	110	75
CAS-21 A15	530	140	380	285763	22	35.71	165.1	330.2	10	7/8-9UNC	6-M22	35.4	32	101.5	922	100.5	21.5	35	0	55	220	M30X3.5	110	75
CAS-24 A11	610	140	280	196864	20	29.36	117.5	235	10	3/4-10UNC	6-M20	33.4	31	101.5	922	136.5	21.5	35	0	55	220	M30X3.5	145	75
CAS																								