



1 • Clamping of Irregular Work It shows excellent performance for machining irregular works such as square bars. **2 • High Performance and High Accuracy** It has the same structure as CAS power chuck, and guarantees excellent performance and quality. Mounting face and changable parts are compatible with CAS. **3 • Spindle Direct-Mounting Type** International standard A-type spindle specification is applied to CASTA type, so that it can be directly attached to short taper spindles.

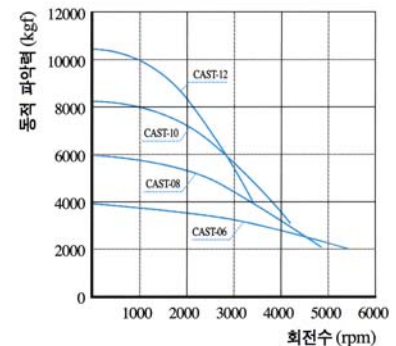
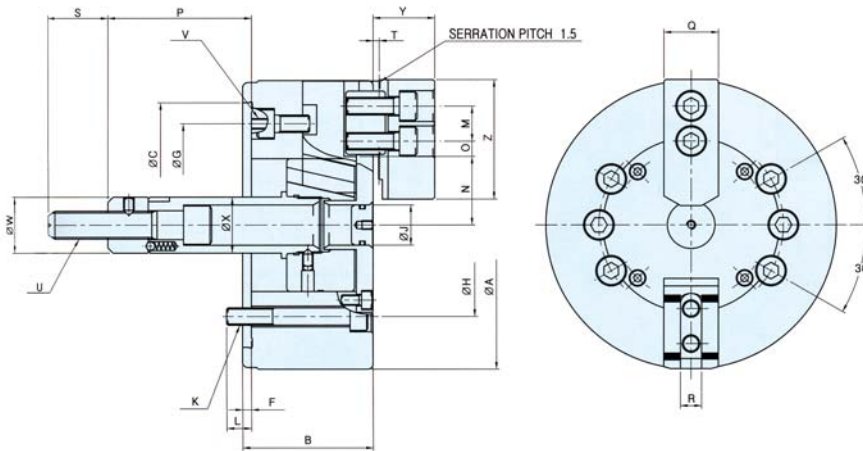
1 • 夹紧不规则工件：此卡盘在夹紧不规则工件时，显示出其优越的性能。例如方杆的夹紧。**2 • 性能好，精度高**：此卡盘与CAS型卡盘结构相同，因此确保其优越的性能和质量，且附件和安装面具有兼容性。**3 • 直接安装型**：可直接安装在符合国际标准A型主轴的短锥安装面上。

1 • 異形工作物把握 2 • 高性能 高精度 3 • スピンドル直装型

1 • 이형공작물 파악 2 • 고성능·고정도 3 • 스피들 직장형

Outward Drawing / 外形图 / 外形图 / 외형도

Dynamic Gripping Force / 动态夹持力 / 動的把握力 / 7 동적 파악력 선도



Dimension / 尺寸 / 寸法表 / 치수표

Model형식	A	B	C	F	G	H	J	K	L	M	Nmax	Nmin	Omax	Omin	Pmax	Pmin	Q	R	S	T	U max	V	W	X	Y	Z
CAST-06	169	74	140	5	116	104.8	23	6-M10	14	20	41	36.7	13	7	101.5	81.5	31	12	36	4	M16X20	3-M6	32	32	36	72
CAST-08	210	85	170	5	150	133.4	28	6-M12	15	25	46.3	41.9	22.5	9	127	106	39	14	36	5	M20X25	3-M6	38	38	43	95
CAST-10	254	89	220	5	190	171.4	34	6-M16	18	30	51.1	46.7	30.7	11.2	158	133	44	16	36	5	M20X25	3-M8	38	44	50	110
CAST-12	304	106	220	6	190	171.4	39	6-M16	18	30	61	55.7	48.7	12.7	163	133	50	18	36	5	M20X25	3-M8	38	50	54	111

Specifications / 规格 / 仕様表 / 사양표

Spec.사양 / Model형식	Order NO. 오더번호	Spindle nose NO. 주축규격	Jaw stroke (Diameter) 죠스트로크(직경)mm	Plunger stroke 플런저 스트로크 mm	Gripping Dia(Extend gripping) 파악径(외경파악)mm		Max. permissible input force / 허용 실린더력 KN(kgf)
					Max 최대	Min 최소	
CAST-06	1AST06	A2-5	92	20	165	19	126(1279)
CAST-08	1AST08	A2-6	88	21	210	23	18.6(1885)
CAST-10	1AST10	A2-8	88	25	254	24	21.6(2187)
CAST-12	1AST12	A2-8	105	30	304	26	27.6(2793)

Spec.사양 / Model형식	Max. static gripping force 최대 정적 파악력 KN(kgf)	Max. permissible speed 최고 사용 회전수 r.p.m(min ⁻¹)	Weight (With standard soft jaws) 중량 (표준소프트 죠 포함) kg	GD ² Moment of inertia N·m ² (kgf·m ²)	Matching cylinder 적용실린더	Matching soft jaw 적용소프트 죠
CAST-06	41.9(4241)	4300	125	1.67(0.17)	YAS, C P, T-100	SJ-06T1
CAST-08	53.2(5385)	3600	24	5.20(0.53)	YAS, C P, T-125	SJ-08T1
CAST-10	76.5(7742)	3100	35.5	11.47(1.17)	YAS, C P, T-125	SJ-10T1
CAST-12	104.4(10569)	2500	60.5	27.75(2.83)	YAS, C P, T-150	SJ-12A2