

# C63M · C64M

## SWING LOCK CHUCK

摆动锁紧卡盘 / 強力揺動チャック / 강력요동형 척



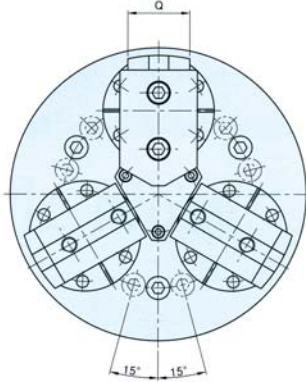
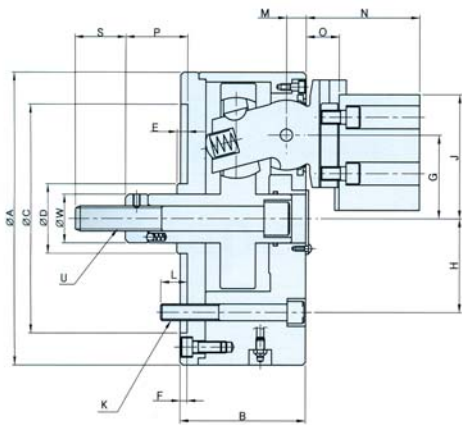
**1 • Strong Gripping Force** It is the chuck that jaws pull materials and stick them to the chuck base plate for stable clamping. **2 • Clamping Taper Part** It can accurately clamp (within 20°) the rough face of casting and forging parts of taper face and clamp inner and outer diameter. **3 • Swing Type Jaw** As jaw is balanced and swung (within 5°) in line with configuration of clamping face of materials, it performs the most stable clamping. **4 • Excellent Dust-proof Performance** It prevents for eign substances and chips with a dust seal installed in the locker arm. **5 • C63M : 3 JAW Type, C64M : 2 JAW Type**

**1 • 夹紧力强** : 此卡盘的卡当能拉住加工工件, 将其卡在至卡盘基准面, 牢固卡紧. **2 • 夹紧锥形件** : 此卡盘能牢固卡紧锥度在20°以内表面凹凸不平的铸件和锻件的锥面, 还可夹紧工件的内, 外径. **3 • 摆动型卡爪** : 当卡爪处于平衡状态下, 在加工工件的表面直线摆动5°以内, 夹紧最牢固. **4 • 防尘性能好** : 为了防止外界物质和碎屑进入卡盘, 我们在锁柄上罩上防尘罩. **5 • C63M : 三爪型, C64M : 两爪型**

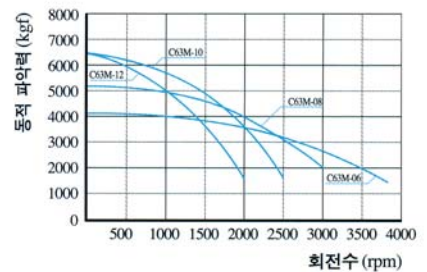
**1 • 強い把握力** **2 • テーパー部把握** **3 • 揺動型の爪** **4 • 防塵性能優秀**  
**5 • C63M : 3 JAW Type, C64M : 2 JAW Type**

**1 • 강력한 파악력** **2 • 테이퍼부 파악** **3 • 요동형의 조오** **4 • 방진성능 우수**  
**5 • C63M : 3 JAW Type, C64M : 2 JAW Type**

### Outward Drawing / 外型图 / 外形图 / 외형도



### Dynamic Gripping Force / 动态夹紧力 / 動的把握力 / 7동작파악력 선도



### Dimension / 尺寸 / 寸法表 / 치수표

Model / 型号	A	B	C	D	E	F	G	H	J	K	L	M	N	O	Pmin	Pmax	Q	S	U	W
C63M-06	175	77	140	42	5	5	51	104.8	73.1	3-M10X1.5	14	135	442	19.3	32.5	43.9	38.1	38	M16X2	32
C63M-08	210	89	190	50	5	5	60	133.4	88.9	3-M12X1.75	19	165	527	23.3	37.5	51.9	44.4	38	M18X2.5	35
C63M-10	254	106	230	58	5	5	72	171.4	112.7	3-M16X2	20	195	656	29.1	50	67.5	57.1	46	M24X3	45
C63M-12	304	108	280	66	5	5	92.5	171.4	133.2	6-M16X2	20	195	656	29.1	57	74.5	57.1	50	M27X3	53

### Specifications / 规格 / 仕様表 / 사양표

Model / 型号	Order N.O. / 订单号	Jaw stroke (Diameter) / 爪 스토크(직경) mm	Plunger stroke / 플런저 스토크 mm	Gripping Dia (Extend gripping) /  파악경(외경파악) mm		Max permissible input force / 허용 실린더력 KN(kgf)
				Max /  최대	Min /  최소	
C63M-06	1C6306	74	11.4	120.0	12	21.6(2200)
C63M-08	1C6308	92	14.4	150.0	16	28.4(2900)
C63M-10	1C6310	118	17.5	205.0	50	35.3(3600)
C63M-12	1C6312	118	17.5	240.0	63	35.3(3600)

Model / 型号	Max. static gripping force /  최대 정적 파악력 KN(kgf)	Max permissible speed /  최고 사용 회전수 r.p.m.(min <sup>-1</sup> )	Weight (With standard soft jaws) /  중량 (표준소프트 조 포함) kg	GD <sup>2</sup> / Moment of inertia N·m <sup>2</sup> (kgf·m <sup>2</sup> )	Matching cylinder /  적용 실린더
C63M-06	64.7(6600)	3800	14	0.49(0.05)	YAS, C, P, T-100
C63M-08	85.3(8700)	3000	23	1.08(0.11)	YAS, C, P, T-125
C63M-10	106(10800)	2500	40	2.64(0.27)	YAS, C, P, T-150
C63M-12	106(10800)	2000	59	5.88(0.60)	YAS, C, P, T-150