

# ADAPTER

## ADAPTER

法兰 /アダプタ/아답터

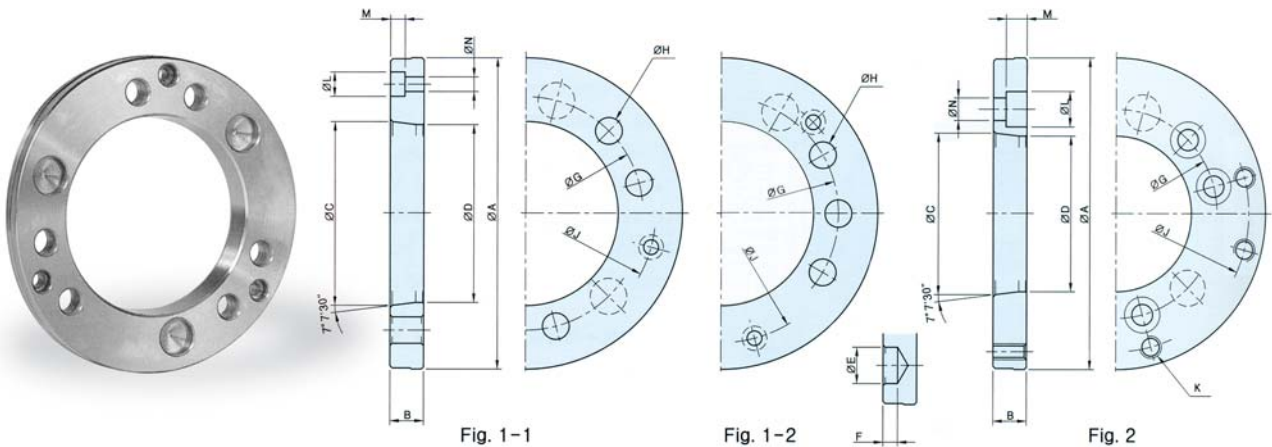


Fig. 1-1

Fig. 1-2

Fig. 2

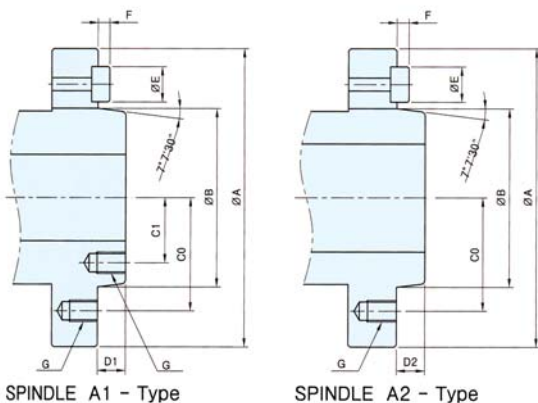
### Outward Drawing/外型图/外形图/외형도

Model형식	Item항목	spindle nose	Fig	A	B	C	D	E	F	G	H	J	K	L	M	N	Matching Chuck적용척
AD-06A05		A2-5	1-1	140	15	82.563	79.7	163	6.5	104.78	12	116	-	11	65	66	CAH, CAS
AD-08A05		A2-5	2	170	25	82.563	79.7	163	6.5	104.78	-	133.35	M12	17.5	11.5	11	CAH, CAS
AD-08A06		A2-6	1-1	170	17	106.375	103	19.45	6.5	133.35	13.5	150	-	11	6.5	66	CAH, CAS
AD-10A06 AD-12A06		A2-6	2	220	25	106.375	103	19.45	6.5	133.35	-	171.45	M16	20	13.5	14	CAH, CAS
AD-10A08 AD-12A08		A2-8	1-1	220	18	139.719	136	24.2	8	171.45	18	190	-	14	10	9	CAH, CAS
AD-15A11		A2-11	1-1	300	22	196.87	192.1	29.36	10	235	21	260	-	17	11	11	CAH
ADT-06A05		A2-5	1-2	140	15	82.563	79.7	163	6.5	104.78	12	116	-	11	6.5	66	CAHT, CAST
ADT-08A06		A2-6	1-2	170	17	106.375	103	19.45	6.5	133.35	13.5	150	-	11	6.5	66	CAHT, CAST
ADT-10A08		A2-8	1-2	220	18	139.719	136	24.2	8	171.45	18	190	-	14	10	9	CAHT, CAST

# Short taper Spindle Nose

## Short taper Spindle Nose

主轴端规格/主轴テーパ规格/주축단 규격



### Dimension/尺寸/寸法表/치수표

spindle nose	A	B	C0	C1	A1-Type D1	A2-Type D2	E	F	G
3	92	53.975	35.3	-	-	11	-	-	M10
4	108	63.513	41.3	-	-	11	14.15	5	M10
5	133	82.563	52.4	30.95	14.29	13	15.9	5	M10
6	165	106.375	66.7	41.3	15.88	14	19.05	5	M12
8	210	139.719	85.7	55.55	17.46	16	23.8	6	M16
11	280	196.869	117.5	82.55	19.55	18	28.6	8	M20
15	380	285.77	165.1	123.8	20.64	19	34.9	8	M22

### Model Description/型号说明/型式番号表示/형식번호 표시

#### ▶Soft Jaw

SJ -

Chuck Size      Option

Shape A | Flat(각형)  
B | Protrude(산형)

#### ▶Hard Jaw

HJ -

Chuck Size      Option

Shape A | 2 Step(2단)  
B | 3 Step(3단)

#### ▶Adapter

AD  -

Blank | Standard      Chuck Size      Spindle Nose

T | 2-jaw type