



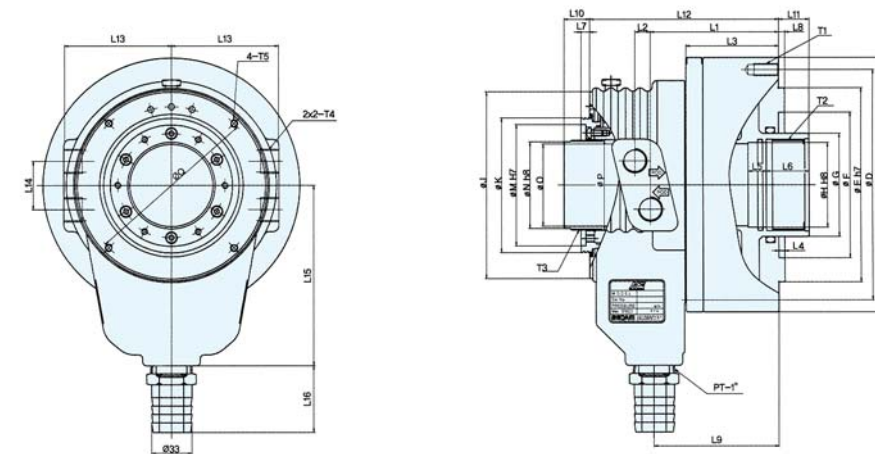
**1 • Compatibility** The mounting face and major parts are mutually compatible with YAH type cylinder. **2 • Small Size & Light Weight** It is 30% shorter than YAH type cylinder so that it is small in size, light in weight and high speed rotation. **3 • Safety Guaranteed** It contains check valves so that pulling force is kept for a certain time upon power failure, securing safety. **4 • Leakage Prevention Design(Patent Registration:0172805)** Cylinder body is designed with a leakage prevention structure to totally eliminate the possibility of leaking. **5 • Highest Draw Pull** As weight is reduced and draw pull is increased, it guarantees the best machining efficiency and stronger power.

**1 • 实现兼容性**：实现YAH型油缸与连接部的兼容性。 **2 • 体积小，重量轻**：与YAH型油缸相比长度缩短了30%，达到体积小，重量轻，高速化的效果。 **3 • 保障安全**：此回转油缸带有单向阀，当断电时，压力仍可保持一段时间，因此确保安全。 **4 • 防泄漏设计(专利注册:0172805)**：回转油缸主体采取防泄漏设计，完全消除漏的可能性。 **5 • 动力强大**：当回转油缸重量减轻及拉力加大时，仍可保证最高的机械效率和强大的动力。

**1 • 互换性实现 2 • 小型化，轻量化 3 • 安全确保 4 • 漏油防止设计(特許登録) 5 • 同クラス最大推力**

**1 • 호환성 실현 2 • 소형화 경량화 3 • 안전 확보 4 • 누유방지 설계(특허등록0172805) 5 • 동급 최대 추력**

### Outward Drawing/外形图/外刑图/외형도



YSH-05,06,08,10,15 YSGH-08

### Dimension/尺寸/寸法表/치수표

Item항목 Model형식	C	D	E	F	G	H	J	K	M	N	O	P	Q
YSH-05	137	115	100	65	48	38	108	76	64	42	36	45	98
YSH-06	165	130	100	80	65	50	108	82.5	74	50	46	53	98
YSH-08	190	170	130	90	70	55	126	90	81	56	52	60	113
YSGH-08	210	190	160	120	85	70	154	111	100	71.5	68	75	145
YSH-10	222	190	160	120	95	80	164	121	110	81	77	85	155
YSH-15	307	275	230	170	140	123	216	167	152	122	117.5	125	198

Item항목 Model형식	L1	L2	L3	L4	L5	L6	L7	L8	L9	L10 max	L10 min	L11 max	L11 min
YSH-05	94.2	8.9	69	6	15	25	7	5	99.5	36	21	15	0
YSH-06	97.3	7.4	72.5	6	15	30	7	5	102	37	21	16	0
YSH-08	100.1	8.9	74	6	15	30	7	5	105.2	43	21	22	0
YSGH-08	105.2	12.7	76	5	15	35	7	5	102.5	46	21	25	0
YSH-10	115.2	12.7	86	5	15	35	7	5	112.5	46	21	25	0
YSH-15	141.5	18.5	102	6	20	45	9.5	6	163	46.3	23.3	24	1

Item항목 Model형식	L12	L13	L14	L15	L16	T1	T2	T3	T4	T5
YSH-05	134.1	66.5	34	115	55	6-M10X18	M42XP1.5	M44XP1.5	PT-3/8	4-M5X10
YSH-06	135.6	78	42	120	55	6-M10X18	M55XP1.5	M52XP1.5	PT-1/2	4-M5X10
YSH-08	140	80	36	130	55	6-M10X18	M60XP20	M58XP1.5	PT-1/2	4-M5X10
YSGH-08	155	88	40	149	55	6-M10X18	M75XP20	M74XP1.5	PT-1/2	4-M5X10
YSH-10	165	92.5	40	165	55	6-M10X18	M85XP20	M84XP20	PT-1/2	4-M5X10
YSH-15	214	140	40	215	55	12-M16X32	M130XP20	M124XP20	PT-1/2	4-M6X15



### Specifications/规格/仕様表/사양표

Spec.사양 Model형식	Order NO. 오더번호	Cylinder Dia 실린더내경 mm	Piston stroke 피스톤스트로크 mm	Thru hole Dia 실린더관통경 mm	Piston surface area 피스톤 단면적 cm <sup>2</sup>		Max. Draw bar pull 실린더 추력 KN(kgf)	
					Extend 압축	Retract 인축	Extend 압축	Retract 인축
YSH-05	2SH05	105	15	36	67.15	64.47	25(2549)	24(2447)
YSH-06	2SH06	130	16	46	107.29	95.53	39(4025)	35(3586)
YSH-08	2SH08	156	22	52	159.77	148.62	57.6(5879)	53.6(5469)
YSGH-08	2SGH08	170	25	68	179.6	166.2	66.8(6814)	61.8(6306)
YSH-10	2SH10	185	25	77	209	193.9	77.9(7944)	72.1(7357)
YSH-15	2SH15	255	23	117.5	384.3	351.7	136.8(13953.5)	125.2(12770.1)

Spec.사양 Model형식	Max. operating pressure 최고사용압력 kgf/cm <sup>2</sup>	Max. permissible speed 최고사용회전수 r.p.m(min)	Total leakage 총드레인량 l/min	Weight 중량 kg	GD <sup>2</sup> Moment of inertia N·m <sup>2</sup> (kgf·m <sup>2</sup> )	Matching chuck 적용척
YSH-05	40.8	8000	3	7.3	0.09(0.010)	CAH-05
YSH-06	40.8	7000	3	9.5	0.20(0.021)	CAH-06
YSH-08	40.8	6200	3.9	13.5	0.39(0.040)	CAH-08
YSGH-08	40.8	5600	4	16.5	0.63(0.065)	CGH-08
YSH-10	40.8	5000	4.2	16.8	0.81(0.083)	CAH-10
YSH-15	40.8	3000	7	52	18.6(1.9)	CAH-15, 18, 21, 24

