

CA

COOLANT COLLECTOR

冷却液收集器/クーラントコレクター/쿨란트 콜렉터



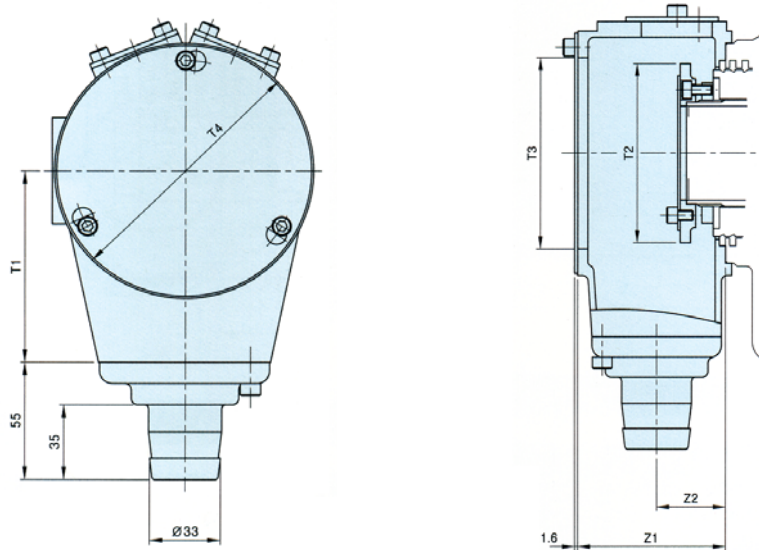
1 • Coolant Collection Attached to the rear part of the great bore cylinder, it performs the role of collecting and circulating coolant used during machining. **2 • Checking Cylinder operation** As proximity switches(2E A) in non-contact method detect the location of detection ring assembled to the end of piston and check whether cylinder is operating, it can be used for interface of automated devices as well as prevention of danger.

1 • 收集冷却液 : 将其安装在大通孔回转油缸的后部, 用来收集和循环加工过程中使用的冷却液
2 • 检测回转油缸的运行 : 由于带有接近开关以非接触的方式来检测安装在活塞末端检测圈的位置, 并检测回转油缸是否正常运行. 它与自动控制装置连接组成自动控制系统, 可以防止危险情况的发生.

1 • 切削油回收 2 • シリンダー作動有無確認

1 • 절삭유 회수 2 • 실린더 작동유무 확인

Outward Drawing/外型图/外形图/외형도



CA | Coolant Collector / 冷却液收集器/クーラントコレクター/ 쿨란트 콜렉터

Dimension/尺寸/寸法表/치수표

Mod e형식	Item 항목	T1	T2	T3	T4	T5	Z1	Z2	Matching Cylinder/적용실린더
CA-06		90	Ø 88	Ø 94	Ø 121	61	72.5	34	YSH/YAH-06
CA-08		100	Ø 100	Ø 106	Ø 132	67	78.5	34	YSH/YAH-08
CA-10		125	Ø 125	Ø 132	Ø 158	80	82.5	34	YSH/YAH-10
CA-12		140	Ø 145	Ø 155	Ø 185	95	87.5	34	YSH/YAH-12
CSG-08		142	Ø 143	Ø 154	Ø 177	92.5	88.5	37.5	YSGH-08
CG-10		142	Ø 143	Ø 154	Ø 177	92.5	88	37	YGH-10

Model Description/型号说明/型式番号表示/형식번호 표시

CA -

 Cylinder Size