



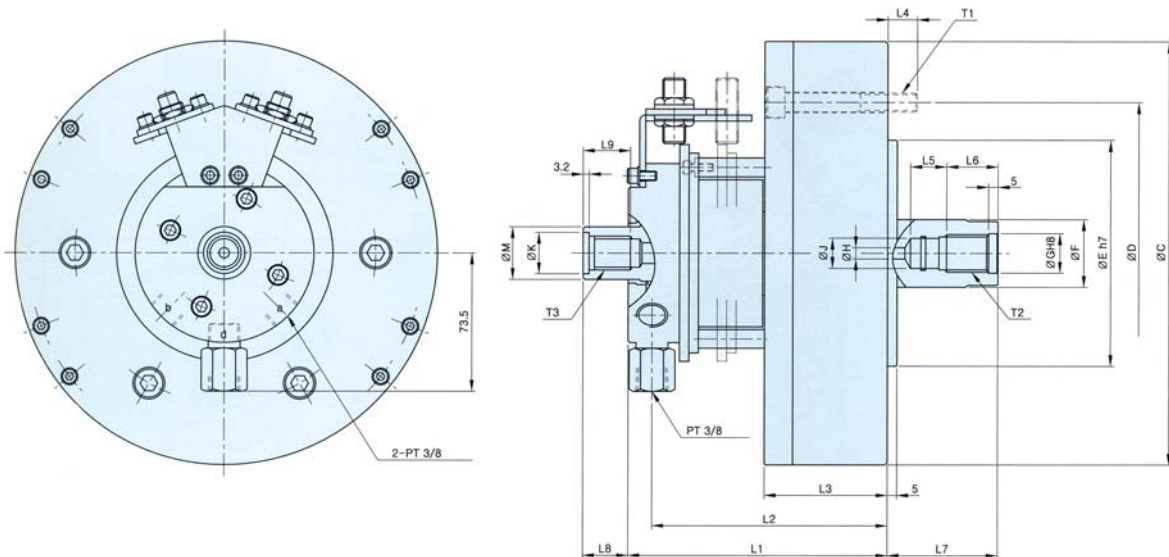
1 • Short Length (Flat Type) As the length of the cylinder is short, the length of equipment is short. Thus efficiency rate is high. **2 • Center Through Hole Secured** The through hole at the center axis of the cylinder can be utilized for coolant or air spray. **3 • High Operation Speed** By minimizing the oil path length and enlarging the oil path diameter, high operation speed of the cylinder is achieved. **4 • Safety Guaranteed** With built-in check valves, pull force is kept for a certain time upon power failure. Thus safety is secured. **5 • Detection of Operating Location** With a proximity switch attached, it can be used for automation interface by detecting the movement of the piston.

1 • 油缸的长度较短, 使设备的长度也相应的缩短, 从而提高其效率性。 **2 •** 在油缸的中心轴处形成贯通孔, 在切削油及空的喷射上得到活用 (Ø6)。 **3 •** 油缸内部油路长度达到最小化, 扩大油路径, 从而使油缸的运转速度加快。 **4 •** 此回油缸带有单向阀, 当断电时, 压力仍可保持一段时间, 因此确保安全。 **5 •** 由于此型号回油缸带接近开关, 与自动控制装置连接, 来检测回油缸活塞的运行情况。

1 • 長さが短い(スリム) **2 •** センター貫通穴確保 **3 •** 高速運転 **4 •** 安全確保 **5 •** 作動位置検出

1 • 길이가 짧은 (박형) **2 •** 중심 관통경 확보 **3 •** 작동속도의 증가 **4 •** 안전 확보 **5 •** 작동 위치 검출

Outward Drawing / 外形图 / 外刑图 / 외형도



Dimension / 尺寸 / 寸法表 / 치수표

Model 형식 / Model 형식	C	D	E	F	G	H	J	K	M	L1	L2	L3	L4	L5	L6	L7max	L7min	L8	L9	T1	T2	T3
YMS-105-15	180	128	85	36	21	6	16	18	28	130	117.5	57	13.5	46	28	53	38	23	25	6-M10	M20XP2.5	PF3/8
YMS-120-20	192	150	120	36	21	6	16	18	28	139	126.5	65	15.5	46	28	53	33	23	25	6-M10	M20XP2.5	PF3/8
YMS-135-20	225	160	120	36	21	6	16	18	28	139	126.5	65	15.5	46	28	58	38	23	25	6-M10	M20XP2.5	PF3/8
YMS-140-25	225	160	120	36	21	6	16	18	28	144	131.5	70	15.5	46	28	58	33	23	25	6-M10	M20XP2.5	PF3/8
YMS-150-35	250	175	120	40	25	6	20	18	28	164	151.5	90	22.5	46	28	63	28	23	25	6-M12	M24XP3.0	PF3/8

Specifications / 规格 / 仕様表 / 사양표

Spec. 사양 / Model 형식	Order N.O. / 주문번호	Cylinder Dia / 실린더내경 mm	Piston stroke / 피스톤스트로크 mm	Piston surface area / 피스톤 단면적 cm ²		Max. Draw bar pull / 실린더 추력 KN(kgf)	
				Extend 압축	Retract 인축	Extend 압축	Retract 인축
YMS-105-15	2MS10	105	15	83.0	76.4	31.2(3183)	28.7(2930)
YMS-120-20	2MS12	120	20	109.5	102.9	41.2(4200)	38.7(3946)
YMS-135-20	2MS13	135	20	141.9	132.9	53.4(5442)	50.0(5097)
YMS-140-25	2MS14	140	25	153.9	143.7	57.9(5902)	54.1(5511)
YMS-150-35	2MS15	155	35	188.6	176.1	70.9(7233)	66.3(6754)

Spec. 사양 / Model 형식	Max. operating pressure / 최고사용유압력 kgf/cm ²	Max. permissible speed / 최고사용회전수 rpm(min ⁻¹)	Total leakage / 총드레인량 l/min	Weight / 중량 kg	GD ² / Moment of inertia N·m ² (kgf·m ²)	Matching chuck / 적용척
YMS-105-15	40.8	6000	1.0	11.0	1.52(0.16)	CAS-06
YMS-120-20	40.8	5000	1.0	11.8	2.11(0.22)	CAS-08
YMS-135-20	40.8	5000	1.0	13.2	3.20(0.33)	CAS-08, CAS-10
YMS-140-25	40.8	5000	1.0	14.5	3.92(0.40)	CAS-10, CAS-12
YMS-150-35	40.8	4200	1.0	17.5	4.60(0.47)	CAS-12