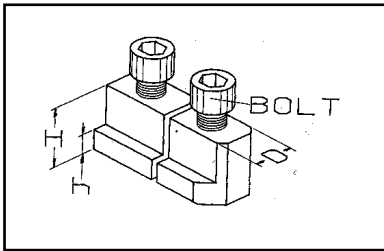
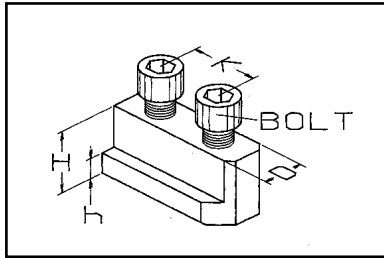


T-Nuts

Power Chucks

To Suit Howa, Kitagawa, Samchully & Matsumoto (MMK)



**Material: Steel: 817M40
Blackened and Ground**

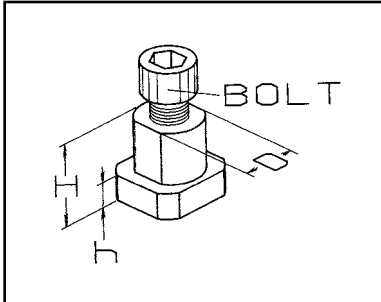
Techleader Part No.	D	H	h	k	Bolt	Howa	Samchully	Kitagawa
GP 03	10	15	5.5	14	M8 x 20	H01MA4 H024M5	HS05	B204 B205
GP 04	8	13.5	4.5	15	M6 x 18			B-04 HOB 4
GR 04	11	16.5	6.5	16	M8 x 20	H027M4 H027M5		
GP 05	10	18	5.5	18	M8 x 22			HOB-5 B-05
GP 06	12	21	7	20	M10 x 25	H01MA6 H015M6 H024M6 H047M6 H07MA6 H022M6 H037M6 H027M6 H023M8		HJA5-6 H06 N-160 AS165 B-160 HOB-6 HOS 6 HOH-160
GP 07	12	18.5	7.5	20	M10 x 25		HS06 HST06 HH206 HC06	B206 B-06 HOH 06 HG738-165 B-07 B-106 B-7 HOH 106 HOH 206
GP 08	14	23	8	25	M12 x 30	H01MA8 H07MA8 H02M8 H015M8		HJA 6-8 B-200 HOB 8 HOS 8 AS 210 HO 8 B-08 N-200 N8 HOH-08K
GP 09	14	20.5	8.2	25	M12 x 30		HS08 HST08 HH208 HC08 HHF208 HSF08	B-108 HOH-108 HG715-210 B 208 HOH 208
GR 10	16	26.5	8.5	25	M12 x 35	H07MA10 H015M10 H022M8 H024M8 H023M10 H027M8 H047M8 H037M8 H034M8		
GP 10	16	23	8	30	M12 x 30	H01MA10 H02M10		B-10 HOH-10 HOB-10 AS 250 N-280 HJA8-10 HOH 250 B-250 HO-10 HOS-10 HG 730-254
GP 11	16	21.5	8.5	30	M12 x 30		HS10 HST10 HC10 HSF10	B-210 HOH 210 B-110 HOH-110
GR 12	18	27.5	9.5	30	M14 x 35	H07MA12 H024M10 H023M12 H037M10 H022M10 H015M12 H027M10 H034M10		
GP 12	18	33	13.5	30	M14 x 45	H01MA12 H02M12		B-300 N-300 HOH-300 HLA6-12 B-12 N-12 HJA8-12 HO-12 HOB-12 HOS-12 HLA6-15 HOH-12 HLA8-15
GP 13	21	28	11.5	30	M16 x 35		HS12 HST12 HH212 HSF12	B-212 B-112 BT-212 HOH-112 HOH-212
GR 13	21	29	10.5	35	M16 x 35	H027M12 H037M12 H034M12 H047M12		
GP 15	22	45.5	16.5	43	M20 x 55		HAH15 HCHF15 HC15 HFC15 HAH18 HCHF18 HC18	B-15 B-380 B-450 HOB-15 HOH-15 HOH-380 B-18 HOB-18
GR 15	26	40	17	42	M20 x 45	H027M15 H047M15		
GP 21	25	45	19	60	M20 x 55			HS450 B530 HS530 HO321 B600 HOB24 H518 B21 HJ21 N21 B24 HS24 N24

Techleader Part No.	D	H	h	K	Bolt	Matsumoto (MMK)
GS 05	10	16.5	5.5	19	M8 x 20	SA5-6
GS 06*	11	20	7.5	-	M8 x 25	HA5-6 HH-6 HX-6 HJ-6 H-6 STC-6
GS 07	11			25		ZA5-6
GS 08*	14	25.5	9.6	-	M12 x 35	HA6-8 HJ-8 HX-8 HHJ-8 H-8 HH-8 STC-8
GS 09*	14	24.5	8.5	-	M12 x 35	ZA6-8
GS 10*	16	23	8	-	M12 x 30	HA8-10 H-10 HHJ-10 HH-10 HHL-10 HX-10 HJ-10 HA8-11 STC-10
GS 11	16			30		ZA8-10
GS 12*	18	30	14	-	M14 x 35	HA8-12 HJ-12 HX-12 HHJ-12 H-12 HH-12 HHL12
GS 13	18			32		ZA8-12

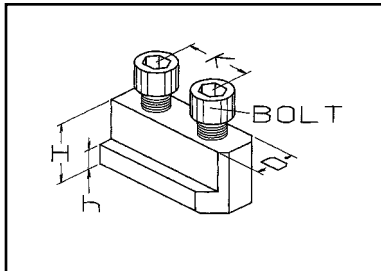
* Split nut type

T-Nuts

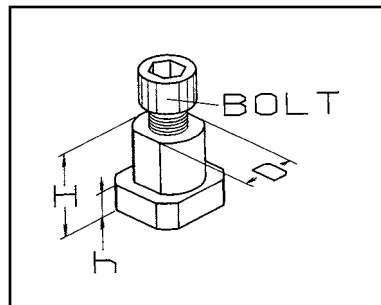
To Suit Forkardt, Pratt Burnerd, Schunk & SMW Power Chucks



GN SINGLE



GG DOUBLE

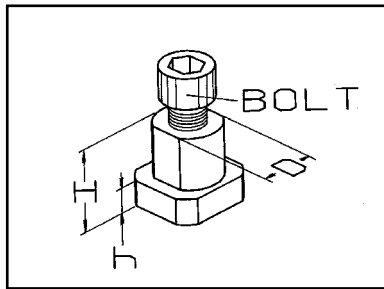


Material:
Steel: 817M40
Blackened and Ground

Techleader Part No.	D	H	h	k	Bolt	Forkardt	Pratt Burnerd	Schunk	SMW
GN 13	12	17	7		M8 x 20	3KTH 130-33 3KTH 140-37			KDV 130
GN 16 GG 20 GG 16	17 17 17	23 23 23	9 9 9	 22 19	M12 X 30 M12 x 30 M12 x 30	3KGF 160/170 KS 160 KGFH 160/175 KSPS 160 KT 160 KL 160 KSH 160 UVE 160 KSF 175 3KSH 200 3KGFH 200 3KTGF 200 3NH200 3NHF 200 KSF200 KS200 KT200 KL200 KSH200 UVE200 KSHF200 KSPS200 KLNC200 KG200 KP200 KS250 UVE250 KSHF 250-55 (Index) 3NHF 250-65 (Index) 3NHF 290-104 (Index) KS250MO KL250MO 2BLE-PS 160 2BLE-PS 200 2BLEF 200	160 International 160 H S Q. C. 165 HYD. Front End 200 International 200 H S Q. C. 210 Hyd. Front End 210 H S Q. C. 250 H S Q. C. 254 International 265 H S Q. C.	TH 165-37 THF 165-37 TH 210-52 THF 210-52 TP 200-52	HFKS 160 KDV 160 KDVG 160 HFK 200/160 HFKS 200 KDV 200 KDVG 200 KDV 250 KDVG 250 KKA 200 KMA 160 KMA 200 KMA 250 KFV 160 KFV 200
GN 25 GG 32 GG 25	21 21 21	27 27 27	11 11 11	 28 25	M16 x 35 M16 x 35 M16 x 35	3NH 250/315 3NHF 250/315 KT 250/315 KSH 250/315 KSHF 250/315 3KTGF 210/315 KG 250/315 KP 250/315 KLNC 250/315 KL 250 KSPS 250/300 3NHF 280 KS 315/400 KSH 400 KSHF 400 UVE 315 3NHF 400 (Index) 2BLE 200 2BLE 250MO	250 International 254 Hyd. Front End 305 Hyd Front End 305 International 305 H S Q. C. 315 International 400 H S Q. C.	TH 250-71 THF 250-71 TP 250-68 TH 315-86 THF 315-86 TP 315-90 TP 315-105 KKA 250/315 KMA 315/400	HFK 250/270 HFK 315 HFKS 250 HFKS 315 KDV 315 KDV 400 KDVG 315 KDVG 400 KZF 200 KFV 250/315
GN 40 GG 40	25.5 25.5	29 29	11 11	 35	M20 x 40 M20 x 40	3NH 400/500/630 3NHF 400/500/630 3KTGF 400/500 UVE 400/500/630/800 KT 400/500 KG 400/500 KL 400/500 KLNC 400/500 KP 400 KS 500/630 KHS 500 KSL 630 KSHF 630 KL 300 KSHF 560 2BLE 250 2BLE 315 2BLE-PS 300 2BLE-PS 315 2BLE 400 2BLE 500 2BLE-PS 400/500	400 International 400 Hyd. Front End 500 Hyd. Front End	TH 380-120 THF 380-120 TH 500-128 THF 500-160 THF 630-160	HFK 400 HFK 500 HFKS 400 HFKS 500 KDV 500 KDVG 500 KDS 630 KZF 250 KZF 315 KZF 400 KKA 400 KFV 400/500 KFV 630/500

T-Nuts

To Suit Autoblok, Gamet, Mikko-Suga, Rohm & SMW-Autoblok Power Chucks



**Material: Steel: 817M40
Blackened and Ground**

Techleader Part No.	D	H	h	K	Bolt	Autoblok & SMW-Autoblok
GF 17	14	20	7.5	-	M10 x 25	IDN 170 HDN 170 IDL 170 HDL 170 GHDN 165 GHDN 170 GHD/FC 170 HDB 170 IMN 170 HMN 170 IML 170 HML 170
GF 18	14	18.5	6.5	16.5	M10 x 20	BHD 165 RCD 165 BBD 175 AND/ALD 165
GF 20	17	22	8	-	M12 x 30	IDN 200 HDN 200 IDL 200 HDL 200 IMN 200 HDN 200 HMN 200 HML 200 CD 200 IDN 220 HDN 220 GHD/FC 210 HDB 220 IML 200
GF 21	17	20.5	7.5	23	M12 x 20	BHD 210 BBD 210 RCD 210 AND/ALD 210
GF 25	21	25	11	-	M16 x 30	IDN 250/315/400 IMN 250/315/400 IDL 250/315/400 IML 250/315/400 HDN 250/315/400 HDM 250/315/400 HDL 250/315/400 HML 250/315/400 GHDN 400 GHDM 400 HDN/FC 400 HDB 300
GF 26	21	26.5	10	30	M16 x 30	BHD 250/315 RCD 250/305 BBD 250/315 AND 250/315 ALD 250/315 HBD 250/315

Techleader Part No.	D	H	h	K	Bolt	Gamet	Nikko-Suga	Rohm
GO 06	11	14.5	6.5	-	M8 x 20	130 N 130 MO 160 GO 160 N 160 MO 170 MF	HF-5 MO-5 HG-5 HF-6AB GO-6 HG-6AB HDM 165 MO-6	KFN 130/160 KFE 170 KFG 160 KFM 130/160
GO 08	14	15.5	6.5	-	M10 x 20	215 N 215 MO 215 GO 215 MF	HF8 MO-8 HG-8 GO-8 MAC 165 HDM-215	KFN 215 KFM 215 KFG 215 KFE 215
GO 11	20	21.5	8.25	-	M12 x 30	250 N 280 N 280 MF 280 MO 280 GO	HF-10 HF-12 HG-10 MO-10/12 GO 10/12 HDM 250/310	KFN 250 KFN 280 KFM 280 KFG 280 KFE 280
GO 14	21	25.5	11	-	M16 x 35	350 N 350 MO 350 GO 350 MF	HF-14 HF-16 MO-14 MAC 250/315 HDM 250/280	KFM 350 KFG 350 KFE 280