

Full Grip Collets

407E (SY0Z 20/RD020)

L₁ Total Length: 1.338" (34 mm) A = Max. Dia: 0.779" (19.8 mm)



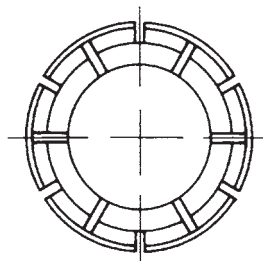
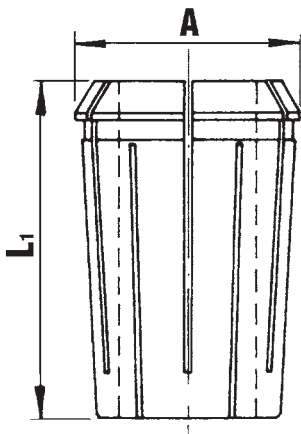
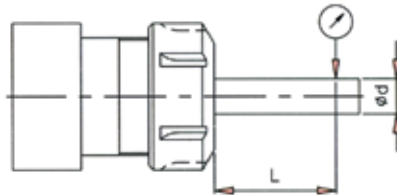
CLAMPING RANGE		METRIC		INCH SERIES	
Metric (mm)	Order No.	Order No.	Order No.	Order No.	Size (in)
3mm	1833-503	1833-008	1833-008	1833-008	1/8
4mm	1833-504	1833-012	1833-012	1833-012	3/16
5mm	1833-505	1833-016	1833-016	1833-016	1/4
6mm	1833-506	1833-020	1833-020	1833-020	5/16
7mm	1833-507	1833-024	1833-024	1833-024	3/8
8mm	1833-508	1833-028	1833-028	1833-028	7/16
9mm	1833-509	1833-032	1833-032	1833-032	1/2
10mm	1833-510	-	-	-	-
11mm	1833-511	-	-	-	-
12mm	1833-512	-	-	-	-

E/OZ/RDO Collets Accuracy Chart

CLAMPING RANGE d (mm)	L (mm)	RUNOUT (TIR)	
		STANDARD PRECISION	HIGH PRECISION*
2.0 to 3.0	10	0.0006"	0.0004"
3.0 to 6.0	16		
6.0 to 10.0	25		
10.0 to 18.0	40	0.0008"	0.0006"
18.0 to 24.0	50		
24.0 to 30.0	60		
30.0 to 50.0	80	0.0012"	0.0008"

* HP Collets Upon Request

TOTAL INDICATOR READING



415E (RD025)

L₁ Total Length: 1.575" (40 mm)

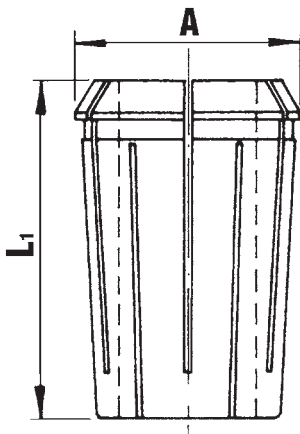
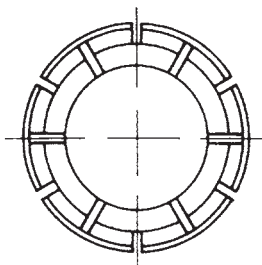
A = Max. Dia: 1.004" (25.5 mm)

CLAMPING RANGE		METRIC	
Metric (mm)	Order No.	Metric (mm)	Order No.
2.0-2.5	3465-100	2.0-2.5	3465-100
2.5-3.0	3465-120	2.5-3.0	3465-120
3.0-3.5	3465-140	3.0-3.5	3465-140
3.5-4.0	3465-160	3.5-4.0	3465-160
4.0-4.5	3465-180	4.0-4.5	3465-180
4.5-5.0	3465-200	4.5-5.0	3465-200
5.0-5.5	3465-220	5.0-5.5	3465-220
5.5-6.0	3465-240	5.5-6.0	3465-240
6.0-6.5	3465-260	6.0-6.5	3465-260
6.5-7.0	3465-280	6.5-7.0	3465-280
7.0-7.5	3465-300	7.0-7.5	3465-300
7.5-8.0	3465-320	7.5-8.0	3465-320
8.0-8.5	3465-340	8.0-8.5	3465-340
8.5-9.0	3465-360	8.5-9.0	3465-360
9.0-9.5	3465-380	9.0-9.5	3465-380
9.5-10.0	3465-400	9.5-10.0	3465-400
10.0-10.5	3465-420	10.0-10.5	3465-420
10.5-11.0	3465-440	10.5-11.0	3465-440
11.0-11.5	3465-460	11.0-11.5	3465-460
11.5-12.0	3465-480	11.5-12.0	3465-480
12.0-12.5	3465-500	12.0-12.5	3465-500
12.5-13.0	3465-520	12.5-13.0	3465-520
13.0-13.5	3465-540	13.0-13.5	3465-540
13.5-14.0	3465-560	13.5-14.0	3465-560
14.0-14.5	3465-580	14.0-14.5	3465-580
14.5-15.0	3465-600	14.5-15.0	3465-600
15.0-15.5	3465-620	15.0-15.5	3465-620
15.5-16.0	3465-640	15.5-16.0	3465-640

Full Grip Collets

462E (SYOZ 25/RD035)

L₁ Total Length: 2.047" (52 mm) A = Max. Dia: 1.380" (35.05 mm)



CLAMPING RANGE		METRIC	INCH SERIES	
Inches	Metric (mm)	Order No.	Order No.	Size (in)
0.158-0.177	4.0-4.5	3466-180	1836-008	1/8
0.177-0.197	4.5-5.0	3466-200	1836-012	3/16
0.197-0.216	5.0-5.5	3466-220	1836-016	1/4
0.216-0.236	5.5-6.0	3466-240	1836-020	5/16
0.236-0.256	6.0-6.5	3466-260	1836-024	3/8
0.256-0.276	6.5-7.0	3466-280	1836-028	7/16
0.276-0.295	7.0-7.5	3466-300	1836-032	1/2
0.295-0.315	7.5-8.0	3466-320	1836-036	9/16
0.315-0.335	8.0-8.5	3466-340	1836-040	5/8
0.335-0.354	8.5-9.0	3466-360	1836-044	11/16
0.354-0.374	9.0-9.5	3466-380	1836-048	3/4
0.374-0.394	9.5-10.0	3466-400	1836-052	13/16
0.394-0.413	10.0-10.5	3466-420	1836-056	7/8
0.413-0.433	10.5-11.0	3466-440	1836-060	15/16
0.433-0.452	11.0-11.5	3466-460	1836-064	1
0.452-0.472	11.5-12.0	3466-480	-	-
0.472-0.492	12.0-12.5	3466-500	-	-
0.492-0.512	12.5-13.0	3466-520	-	-
0.512-0.531	13.0-13.5	3466-540	-	-
0.531-0.551	13.5-14.0	3466-560	-	-
0.551-0.571	14.0-14.5	3466-580	-	-
0.571-0.591	14.5-15.0	3466-600	-	-
0.591-0.610	15.0-15.5	3466-620	-	-
0.610-0.630	15.5-16.0	3466-640	-	-
0.630-0.650	16.0-16.5	3466-660	-	-
0.650-0.669	16.5-17.0	3466-680	-	-
0.669-0.689	17.0-17.5	3466-700	-	-
0.689-0.709	17.5-18.0	3466-720	-	-
0.709-0.728	18.0-18.5	3466-740	-	-
0.728-0.748	18.5-19.0	3466-760	-	-
0.748-0.768	19.0-19.5	3466-780	-	-
0.768-0.787	19.5-20.0	3466-800	-	-
0.787-0.807	20.0-20.5	3466-820	-	-
0.807-0.827	20.5-21.0	3466-840	-	-
0.827-0.847	21.0-21.5	3466-860	-	-
0.847-0.866	21.5-22.0	3466-880	-	-
0.866-0.886	22.0-22.5	3466-900	-	-
0.886-0.905	22.5-23.0	3466-920	-	-
0.905-0.925	23.0-23.5	3466-940	-	-
0.925-0.945	23.5-24.0	3466-960	-	-
0.945-0.965	24.0-24.5	3466-980	-	-
0.965-0.984	24.5-25.0	3466-1000	-	-

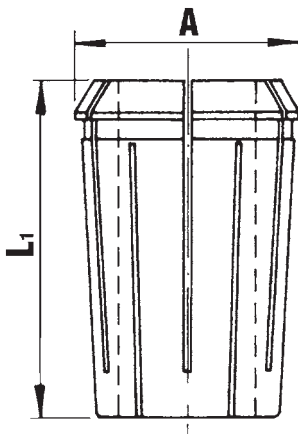
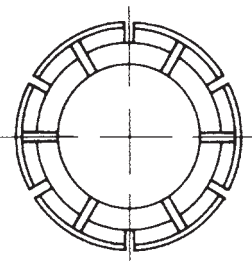
Full Grip Collets

467E (RD044)

L₁ Total Length: 2.362" (60 mm) A = Max. Dia: 1.720" (43.7 mm)



Full Grip Collets



Ball Bearing Nut

CLAMPING RANGE		METRIC	INCH SERIES	
Inches	Metric (mm)	Order No.	Order No.	Size (in)
0.216-0.236	5.5-6.0	3467-240	1837-008	1/8
0.236-0.256	6.0-6.5	3467-260	1837-012	3/16
0.256-0.276	6.5-7.0	3467-280	1837-016	1/4
0.276-0.295	7.0-7.5	3467-300	1837-020	5/16
0.295-0.315	7.5-8.0	3467-320	1837-024	3/8
0.315-0.335	8.0-8.5	3467-340	1837-028	7/16
0.335-0.354	8.5-9.0	3467-360	1837-032	1/2
0.354-0.374	9.0-9.5	3467-380	1837-036	9/16
0.374-0.393	9.5-10.0	3467-400	1837-040	5/8
0.393-0.413	10.0-10.5	3467-420	1837-044	11/16
0.413-0.433	10.5-11.0	3467-440	1837-048	3/4
0.433-0.452	11.0-11.5	3467-460	1837-052	13/16
0.452-0.472	11.5-12.0	3467-480	1837-056	7/8
0.472-0.492	12.0-12.5	3467-500	1837-060	15/16
0.492-0.512	12.5-13.0	3467-520	1837-064	1
0.512-0.531	13.0-13.5	3467-540	1837-068	1-1/16
0.531-0.551	13.5-14.0	3467-560	1837-072	1-1/8
0.551-0.570	14.0-14.5	3467-580	1837-076	1-3/16
0.570-0.590	14.5-15.0	3467-600	1837-080	1-1/4
0.590-0.610	15.0-15.5	3467-620	-	-
0.610-0.629	15.5-16.0	3467-640	-	-
0.629-0.649	16.0-16.5	3467-660	-	-
0.649-0.669	16.5-17.0	3467-680	-	-
0.669-0.689	17.0-17.5	3467-700	-	-
0.689-0.708	17.5-18.0	3467-720	-	-
0.708-0.728	18.0-18.5	3467-740	-	-
0.728-0.748	18.5-19.0	3467-760	-	-
0.748-0.768	19.0-19.5	3467-780	-	-
0.768-0.787	19.5-20.0	3467-800	-	-
0.787-0.807	20.0-20.5	3467-820	-	-
0.807-0.827	20.5-21.0	3467-840	-	-
0.827-0.846	21.0-21.5	3467-860	-	-
0.846-0.866	21.5-22.0	3467-880	-	-
0.866-0.886	22.0-22.5	3467-900	-	-
0.886-0.905	22.5-23.0	3467-920	-	-
0.905-0.925	23.0-23.5	3467-940	-	-
0.925-0.945	23.5-24.0	3467-960	-	-
0.945-0.964	24.0-24.5	3467-980	-	-
0.964-0.984	24.5-25.0	3467-1000	-	-
0.984-1.004	25.0-25.5	3467-1020	-	-
1.004-1.023	25.5-26.0	3467-1040	-	-
1.023-1.043	26.0-26.5	3467-1060	-	-
1.043-1.063	26.5-27.0	3467-1080	-	-
1.063-1.082	27.0-27.5	3467-1100	-	-
1.082-1.102	27.5-28.0	3467-1120	-	-
1.102-1.122	28.0-28.5	3467-1140	-	-
1.122-1.142	28.5-29.0	3467-1160	-	-
1.142-1.161	29.0-29.5	3467-1180	-	-
1.161-1.181	29.5-30.0	3467-1200	-	-
1.181-1.201	30.0-30.5	3467-1220	-	-
1.201-1.220	30.5-31.0	3467-1240	-	-
1.220-1.240	31.0-31.5	3467-1260	-	-
1.240-1.260	31.5-32.0	3467-1280	-	-

BALL BEARING NUTS FOR FULL GRIP COLLETS

COLLET STYLE	Order No.	A (mm)	B (mm)	C
415E	1823-000-N	43	24	M33 X 1.5P
462E	1825-000-N	60	30	M48 X 2.0P
467E	1826-000-N	72	33.5	M60 X 2.5P