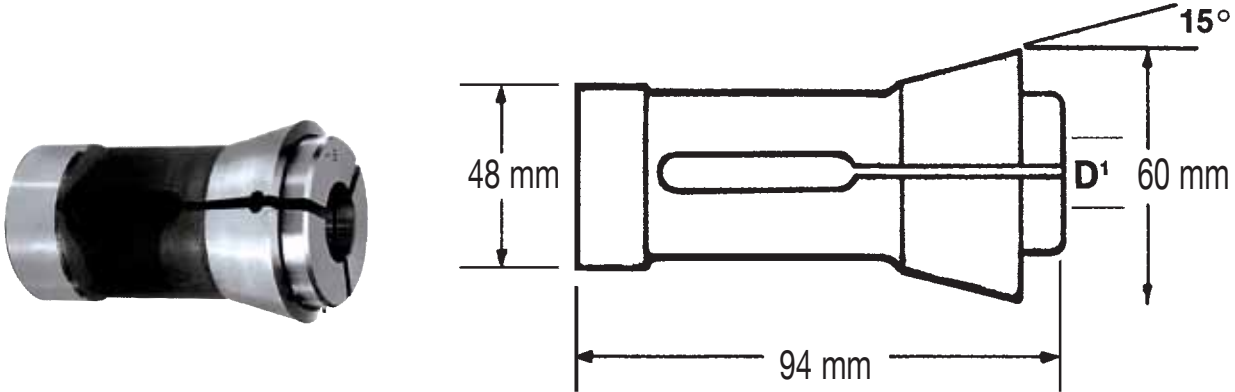


# DIN 6343 B42/48 Collets



## Round

ORDER NO.	D <sub>1</sub> SIZE (in)
4728-008	1/8
4728-012	3/16
4728-016	1/4
4728-020	5/16
4728-024	3/8
4728-028	7/16
4728-032	1/2
4728-036	9/16
4728-040	5/8
4728-044	11/16
4728-048	3/4
4728-052	13/16
4728-056	7/8
4728-060	15/16
4728-064	1
4728-068	1-1/16
4728-072	1-1/8
4728-076	1-3/16
4728-080	1-1/4
4728-084	1-5/16
4728-088	1-3/8
4728-092	1-7/16
4728-096	1-1/2
4728-100	1-9/16
4728-104	1-5/8

## Hexagon

ORDER NO.	D <sub>1</sub> SIZE (in)
4728-008-H	1/8
4728-012-H	3/16
4728-016-H	1/4
4728-020-H	5/16
4728-024-H	3/8
4728-028-H	7/16
4728-032-H	1/2
4728-036-H	9/16
4728-040-H	5/8
4728-044-H	11/16
4728-048-H	3/4
4728-052-H	13/16
4728-056-H	7/8
4728-060-H	15/16
4728-064-H	1
4728-068-H	1-1/16
4728-072-H	1-1/8
4728-076-H	1-3/16
4728-080-H	1-1/4

## Square

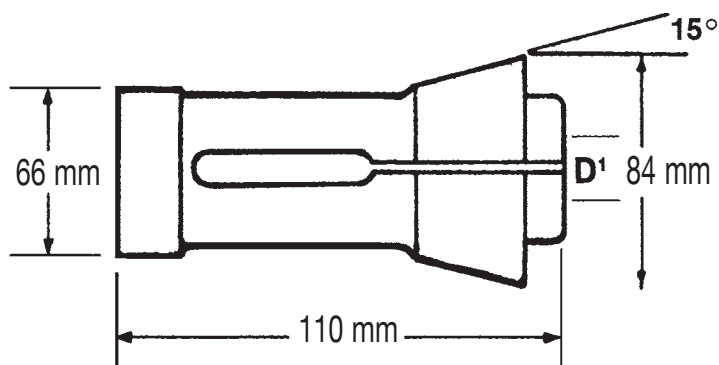
ORDER NO.	D <sub>1</sub> SIZE (in)
4728-008-S	1/8
4728-012-S	3/16
4728-016-S	1/4
4728-020-S	5/16
4728-024-S	3/8
4728-028-S	7/16
4728-032-S	1/2
4728-036-S	9/16
4728-040-S	5/8
4728-044-S	11/16
4728-048-S	3/4
4728-052-S	13/16
4728-056-S	7/8
4728-060-S	15/16
4728-064-S	1
4728-068-S	1-1/16

## Emergency Collet

ORDER NO.	DESCRIPTION
4728-000-S	STEEL

Metric sizes available upon request.

# DIN 6343 B60/66 Collets



COLLETS FOR TOOLHOLDING & WORKHOLDING

## Round

ORDER NO.	D <sub>1</sub> SIZE (in)
4291-016	1/4
4291-020	5/16
4291-024	3/8
4291-028	7/16
4291-032	1/2
4291-036	9/16
4291-040	5/8
4291-044	11/16
4291-048	3/4
4291-052	13/16
4291-056	7/8
4291-060	15/16
4291-064	1
4291-068	1-1/16
4291-072	1-1/8
4291-076	1-3/16
4291-080	1-1/4
4291-084	1-5/16
4291-088	1-3/8
4291-092	1-7/16
4291-096	1-1/2
4291-100	1-9/16
4291-104	1-5/8
4291-108	1-11/16
4291-112	1-3/4
4291-116	1-13/16
4291-120	1-7/8
4291-124	1-15/16
4291-128	2
4291-136	2-1/8
4291-144	2-1/4
4291-152	2-3/8

## Hexagon

ORDER NO.	D <sub>1</sub> SIZE (in)
4291-016-H	1/4
4291-020-H	5/16
4291-024-H	3/8
4291-028-H	7/16
4291-032-H	1/2
4291-036-H	9/16
4291-040-H	5/8
4291-044-H	11/16
4291-048-H	3/4
4291-052-H	13/16
4291-056-H	7/8
4291-060-H	15/16
4291-064-H	1
4291-068-H	1-1/16
4291-072-H	1-1/8
4291-076-H	1-3/16
4291-080-H	1-1/4
4291-084-H	1-5/16
4291-088-H	1-3/8
4291-092-H	1-7/16
4291-096-H	1-1/2
4291-100-H	1-9/16
4291-104-H	1-5/8
4291-108-H	1-11/16
4291-112-H	1-3/4
4291-116-H	1-13/16
4291-120-H	1-7/8
4291-124-H	1-15/16
4291-128-H	2

## Square

ORDER NO.	D <sub>1</sub> SIZE (in)
4291-016-S	1/4
4291-020-S	5/16
4291-024-S	3/8
4291-028-S	7/16
4291-032-S	1/2
4291-036-S	9/16
4291-040-S	5/8
4291-044-S	11/16
4291-048-S	3/4
4291-052-S	13/16
4291-056-S	7/8
4291-060-S	15/16
4291-064-S	1
4291-068-S	1-1/16
4291-072-S	1-1/8
4291-076-S	1-3/16
4291-080-S	1-1/4
4291-084-S	1-5/16
4291-088-S	1-3/8
4291-092-S	1-7/16
4291-096-S	1-1/2

## Emergency Collet

ORDER NO.	DESCRIPTION
4291-000-S	STEEL

Metric sizes available upon request.