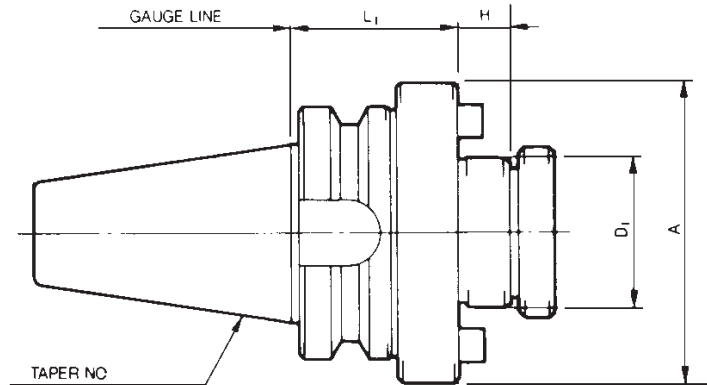


# Shell Mill Holders



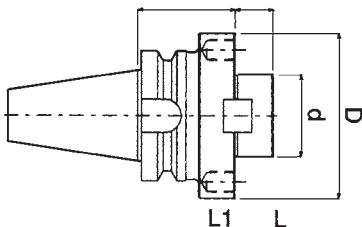
## BT Flange Tools

For parts, see page 1-33

## BT



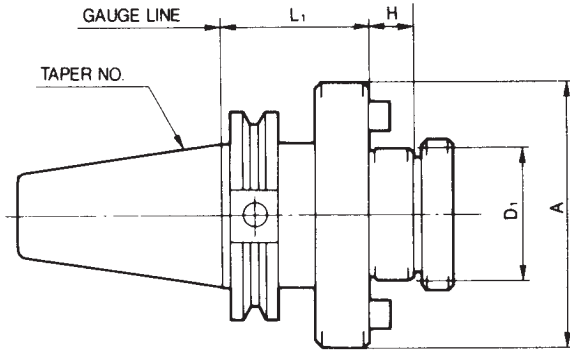
Taper	Order No.	Device Type	D <sub>1</sub> (in)	L <sub>1</sub> (in)	H (in)	A (in)
30	479-435	BT30 - SM 3/4 - 30	0.750	1.18	0.69	1.75
30	479-445	BT30 - SM 1 - 45	1.000	1.77	0.69	2.25
35	479-025*	BT35 - SM 1/2 - 30	0.500	1.18	0.55	1.49
35	479-050*	BT35 - SM 1-1/4 - 45	1.250	1.77	0.69	2.75
40	479-135	BT40 - SM 3/4 - 60	0.750	2.36	0.69	1.75
40	479-136	BT40 - SM 3/4 - 101.6	0.750	4.00	0.69	1.75
40	479-145	BT40 - SM 1 - 45	1.000	1.77	0.69	2.25
40	479-146	BT40 - SM 1 - 101.6	1.000	4.00	0.69	2.25
40	479-150	BT40 - SM 1-1/4 - 60	1.250	2.36	0.69	2.75
40	479-155	BT40 - SM 1-1/2 - 60	1.500	2.36	0.94	3.82
45	479-235*	BT45 - SM 3/4 - 45	0.750	1.77	0.69	1.75
45	479-255*	BT45 - SM 1-1/2 - 60	1.500	2.36	0.94	3.82
50	479-335	BT50 - SM 3/4 - 60	0.750	2.36	0.69	1.75
50	479-345	BT50 - SM 1 - 60	1.000	2.36	0.69	2.25
50	479-350	BT50 - SM 1-1/4 - 45	1.250	1.77	0.69	2.75
50	479-355	BT50 - SM 1-1/2 - 45	1.500	1.77	0.94	3.82
50	479-360	BT50 - SM 2 - 60	2.000	2.36	0.94	4.13
50	479-365**	BT50 - FM 2-1/2 - 75	2.500	2.95	1.10	5.06



\*While stock is still available. \*\*Includes 4 tapped holes 5/8" - 11UNC on a 4" Bolt Circle

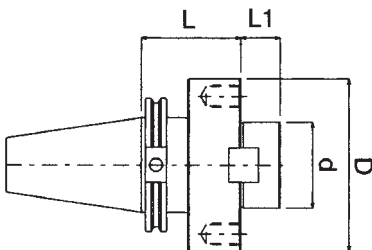
\*\*Face Mill Holders

# Shell Mill Holders



## CT Flange Tools

For parts, see page 1-33



## CT

Taper	Order No.	Device Type	D <sub>1</sub> (in)	L <sub>1</sub> (in)	H (in)	A (in)
40	480-135	CT40 - SM 3/4 - 1.75	0.750	1.75	0.69	1.75
40	480-136	CT40 - SM 3/4 - 4.00	0.750	4.00	0.69	1.75
40	480-137	CT40 - SM 3/4 - 6.00	0.750	6.00	0.69	1.75
40	480-145	CT40 - SM 1 - 2.50	1.000	2.50	0.69	2.25
40	480-146	CT40 - SM 1 - 4.00	1.000	4.00	0.69	2.25
40	480-147	CT40 - SM 1 - 6.00	1.000	6.00	0.69	2.25
40	480-150	CT40 - SM 1-1/4 - 2.50	1.250	2.50	0.69	2.75
40	480-151	CT40 - SM 1-1/4 - 4.50	1.250	4.50	0.69	2.75
40	480-155	CT40 - SM 1-1/2 - 2.50	1.500	2.50	0.94	3.82
40	480-156	CT40 - SM 1-1/2 - 4.00	1.500	4.00	0.94	3.82
45	480-245*	CT45 - SM 1 - 2.00	1.000	2.00	0.69	2.25
45	480-250*	CT45 - SM 1-1/4 - 2.50	1.250	2.50	0.69	2.75
45	480-255*	CT45 - SM 1-1/2 - 2.40	1.500	2.40	0.94	3.82
45	480-260*	CT45 - SM 2 - 2.40	2.000	2.40	0.94	4.13
45	**480-265*	CT45 - FM 2-1/2 - 2.40	2.500	2.40	1.13	5.06
50	480-335	CT50 - SM 3/4 - 1.50	0.750	1.50	0.69	1.75
50	480-336	CT50 - SM 3/4 - 3.50	0.750	3.50	0.69	1.75
50	480-337	CT50 - SM 3/4 - 5.50	0.750	5.50	0.69	1.75
50	480-338	CT50 - SM 3/4 - 8.00	0.750	8.00	0.69	1.75
50	480-345	CT50 - SM 1 - 2.00	1.000	2.00	0.69	2.25
50	480-346	CT50 - SM 1 - 4.00	1.000	4.00	0.69	2.25
50	480-347	CT50 - SM 1 - 6.00	1.000	6.00	0.69	2.25
50	480-348	CT50 - SM 1 - 8.00	1.000	8.00	0.69	2.25
50	480-350	CT50 - SM 1-1/4 - 1.50	1.250	1.50	0.69	2.75
50	480-351	CT50 - SM 1-1/4 - 3.50	1.250	3.50	0.69	2.75
50	480-352	CT50 - SM 1-1/4 - 5.50	1.250	5.50	0.69	2.75
50	480-355	CT50 - SM 1-1/2 - 2.40	1.500	2.40	0.94	3.82
50	480-356	CT50 - SM 1-1/2 - 4.00	1.500	4.00	0.94	3.82
50	480-357	CT50 - SM 1-1/2 - 6.00	1.500	6.00	0.94	3.82
50	480-358	CT50 - SM 1-1/2 - 8.00	1.500	8.00	0.94	3.82
50	480-360	CT50 - SM 2 - 2.40	2.000	2.40	0.94	4.75
50	480-361	CT50 - SM 2 - 4.00	2.000	4.00	0.94	4.75
50	480-362	CT50 - SM 2 - 6.00	2.000	6.00	0.94	4.75
50	**480-365	CT50 - FM 2-1/2 - 2.40	2.500	2.40	1.13	5.06
50	**480-366	CT50 - FM 2-1/2 - 4.00	2.500	4.00	1.13	5.06
50	**480-367	CT50 - FM 2-1/2 - 6.00	2.500	6.00	1.13	5.06

\*\*Face Mill Holders

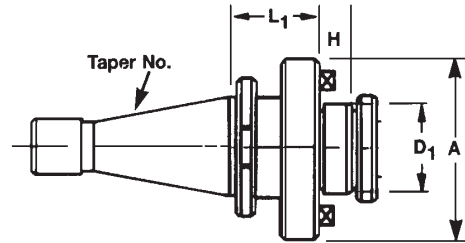
\* While stock is still available

\*\* Includes 4 tapped holes 5/8" - 11UNC on a 4" Bolt Circle

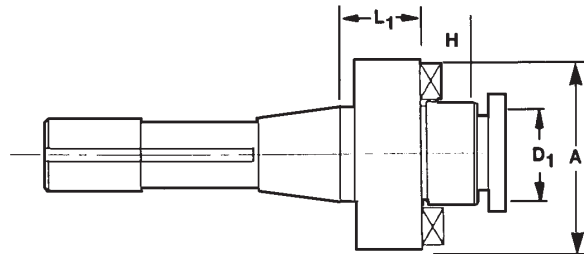
# Shell Mill Holders



**NMTB**



**R8**



## R8 & NMTB-QC Flange Tools

NMTB tool holders are qualified for use with Erickson QC spindles

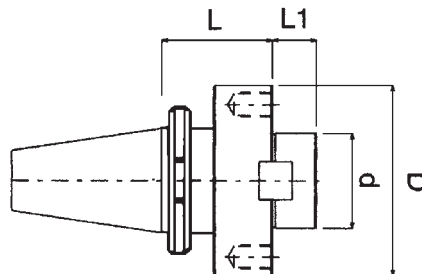
For parts, see page 1-33

Taper	Order No.	Device Type	D <sub>1</sub> (in)	L <sub>1</sub> (in)	H (in)	A (in)
30	680-035	NMTB30QC-SM 3/4-1.312	0.750	1.312	0.69	1.75
30	680-045	NMTB30QC-SM 1-1.312	1.000	1.312	0.69	2.25
40	680-235	NMTB40QC-SM 3/4-0.875	0.750	0.875	0.69	1.75
40	680-245	NMTB40QC-SM 1-1.3125	1.000	1.3125	0.69	2.25
40	680-250	NMTB40QC-SM 1-1/4-1.500	1.250	1.500	0.69	2.75
40	680-255	NMTB40QC-SM 1-1/2-1.625	1.500	1.625	0.94	3.82
50	680-435	NMTB50QC-SM 3/4-1.250	0.750	1.250	0.69	1.75
50	680-445	NMTB50QC-SM 1-1.875	1.000	1.875	0.69	2.25
50	680-450	NMTB50QC-SM 1-1/4-1.875	1.250	1.875	0.69	2.75
50	680-455	NMTB50QC-SM 1-1/2-1.875	1.500	1.875	0.94	3.82
50	680-460	NMTB50QC-SM 2-1.875	2.000	1.875	0.94	4.13
50	**680-465	NMTB50QC-FM 2-1/2- 2.50	2-1/2	2.50	1.13	5.06
R8	680-835	R8-SM 3/4	0.750	1.00	0.69	1.75
R8	680-845	R8-SM 1	1.000	1.00	0.69	2.25
R8	680-850	R8-SM 1-1/4	1.250	1.00	0.69	2.75
R8	680-855	R8-SM 1-1/2	1.500	1.75	0.94	3.82

\*\* Includes 4 tapped holes 5/8" - 11UNC on a 4" Bolt Circle

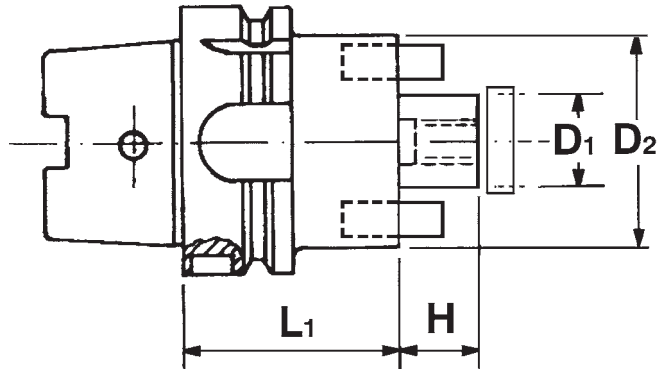


**\*\*Face Mill Holders**



# Shell Mill Holders

## HSK-A Flange Tools



Taper	Order No.	Device Type	D <sub>1</sub> (in)	L <sub>1</sub> (in)	H (in)	Key Size (in)	Max RPM
63A	580-535A	HSK63A-SM 3/4"-3.00	0.750	3.00	0.69"	0.3125"	10,000
63A	580-536A	HSK63A-SM 3/4"-5.00	0.750	5.00	0.69"	0.3125"	8,000
63A	580-545A	HSK63A-SM 1"-3.00	1.000	3.00	0.69"	0.375"	10,000
63A	580-546A	HSK63A-SM 1"-5.00	1.000	5.00	0.69"	0.375"	8,000
63A	580-550A	HSK63A-SM 1-1/4"-3.00	1.250	3.00	0.69"	0.500"	8,000
63A	580-551A	HSK63A-SM 1-1/4"-5.00	1.250	5.00	0.69"	0.500"	6,000

# Parts for Techleader Shell Mill Holders New Coolant Thru Arbor Screw



## DRIVE KEY SCREWS

Holder Size	Order No.	Drive Key Screws
1/2"	30130-303	M3 x 0.5P x 10MM
3/4"	30130-303	M3 x 0.5P x 10MM
1"	30130-304	M4 x 0.7P x 10MM
1-1/4"	30130-305	M5 x 0.8P x 12MM
1-1/2"	30130-306	M6 x 1.0P x 15MM
2"	30130-308	M8 x 1.25P x 20MM
2-1/2"	30130-308	M8 x 1.25P x 20MM



## DRIVE KEY

Holder Size	Order No.	Drive Keys
1/2"	30130-111	6.2MM x 8MM
3/4"	30130-112	7.8MM x 8MM
1"	30130-102	9.4MM x 10MM
1-1/4"	30130-106	12.6MM x 12MM
1-1/2"	30130-108	15.8MM x 20MM
2"	30130-109	18.9MM x 22MM
2-1/2"	30130-110	25.3MM x 20MM



## ARBOR SCREWS

Holder Size	Order No.	Arbor Screw Size
1/2"	30130-207	1/4" - 28UNF
3/4"	30130-208	3/8" - 24UNF
1"	30130-209	1/2" - 20UNF
1-1/4"	30130-210	5/8" - 18UNF
1-1/2"	30130-211	3/4" - 16UNF
2"	30130-212	1" - 14UNF

## ARBOR SCREWS – Coolant thru side slots



Holder Size	Order No.	Arbor Screw Size
1/2"	30130-215	1/4" - 28 UNF
3/4"	30130-216	3/8" - 24 UNF
1"	30130-217	1/2" - 20 UNF
1-1/4"	30130-218	5/8" - 18 UNF
1-1/2"	30130-219	3/4" - 16 UNF
2"	30130-220	1" - 14 UNF