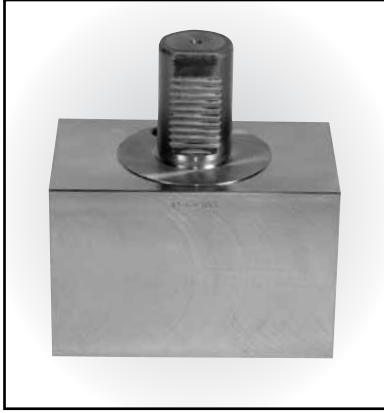
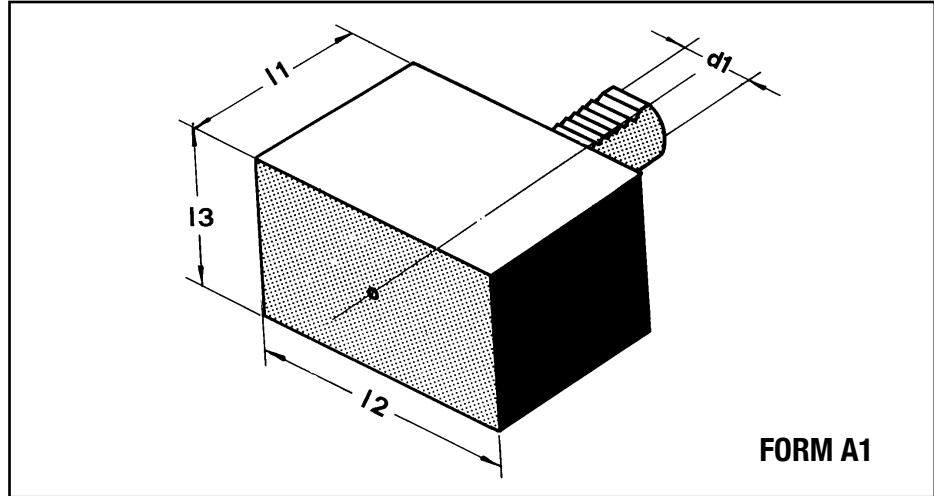


VDI Toolholders



Toolholder with parallel shank for special versions, rectangular



FORM A1

Order No.	Device Type	Dimensions			
		d_1	l_1	l_2	l_3
A12065	A1 20 x 65	20	65	100	60
A13085	A1 30 x 85	30	85	130	76
A140100	A1 40 x 100	40	100	151	96
A150125	A1 50 x 125	50	125	160	120
A160150	A1 60 x 150	60	150	165	125
A180200	A1 80 x 200	80	200	220	160