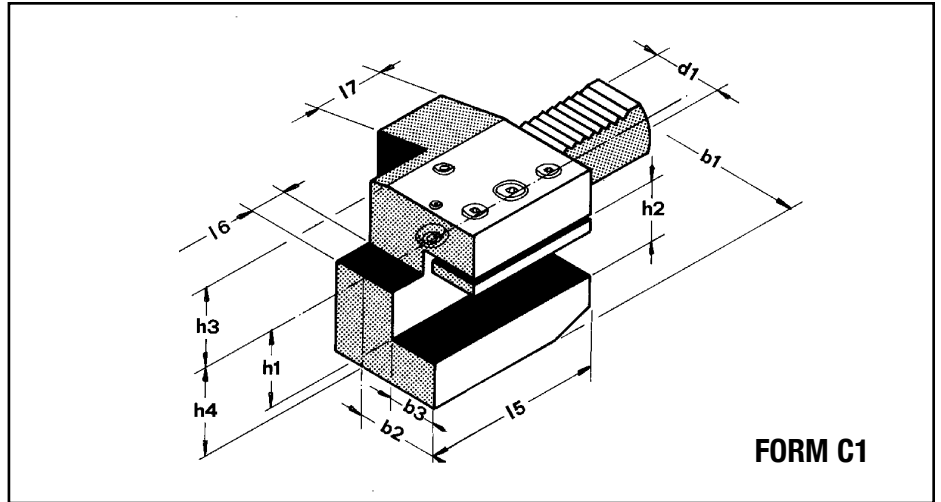


VDI Toolholders



Toolholder with parallel shank and longitudinal rectangular seat, right-hand

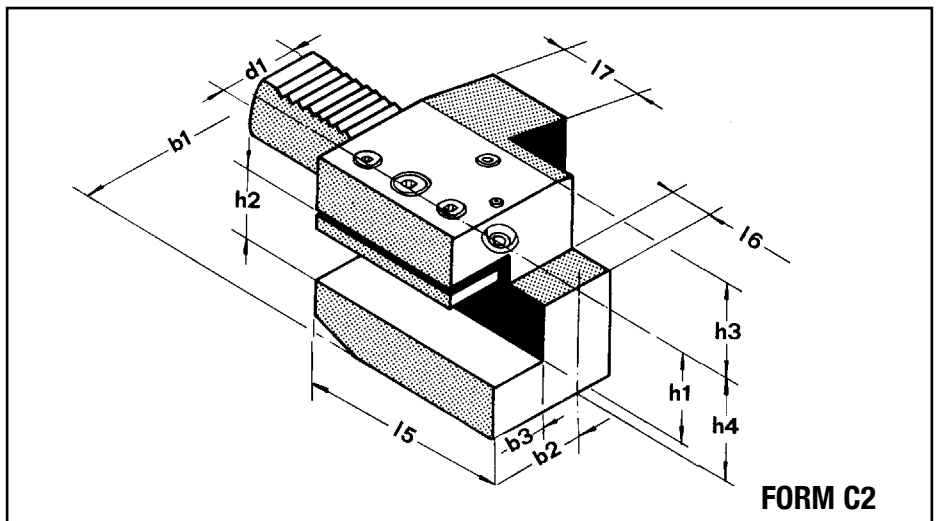


FORM C1

Order No.	Device Type	Dimensions										
		d ₁	b ₁	b ₂	b ₃	h ₁	h ₂	h ₃	h ₄	l ₅	l ₆	l ₇
C120625	C1 20 x 5/8	20	52	27	14	5/8	22	25	30	55	7	30
C120625W	C1 20 x 5/8 W	20	65	40	14	5/8	22	25	30	50	-	30
C130750	C1 30 x 3/4	30	70	35	18	3/4	29	28	38	70	10	30
C1401000	C1 40 x 1	40	85	42.5	22	1	34	32.5	48	85	12.5	30
C1501250	C1 50 x 1-1/4	50	100	50	24.5	1-1/4	41	35	60	100	16	40
C1601250	C1 60 x 1-1/4	60	125	62.5	30	1-1/4	41	42.5	62.5	125	16	40
C1801500	C1 80 x 1-1/2	80	160	80	39	1-1/2	53	55	80	160	20	40



Toolholder with parallel shank and longitudinal rectangular seat, left-hand



FORM C2

Order No.	Device Type	Dimensions										
		d ₁	b ₁	b ₂	b ₃	h ₁	h ₂	h ₃	h ₄	l ₅	l ₆	l ₇
C220625	C2 20 x 5/8	20	65	40	14	5/8	22	25	30	50	-	30
C230750	C2 30 x 3/4	30	76	41	18	3/4	29	28	38	70	10	30
C2401000	C2 40 x 1	40	90	47.5	22	1	34	32.5	48	85	12.5	30
C2501250	C2 50 x 1-1/4	50	105	55	24.5	1-1/4	41	35	60	100	16	40
C2601250	C2 60 x 1-1/4	60	125	62.5	30	1-1/4	41	42.5	62.5	125	16	40
C2801500	C2 80 x 1-1/2	80	160	78	37	1-1/2	53	55	80	160	20	40