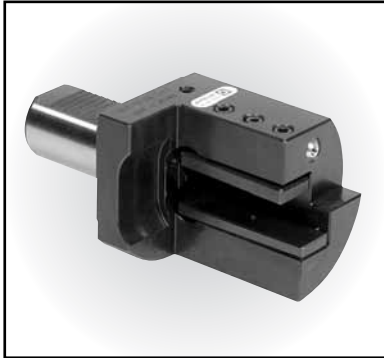
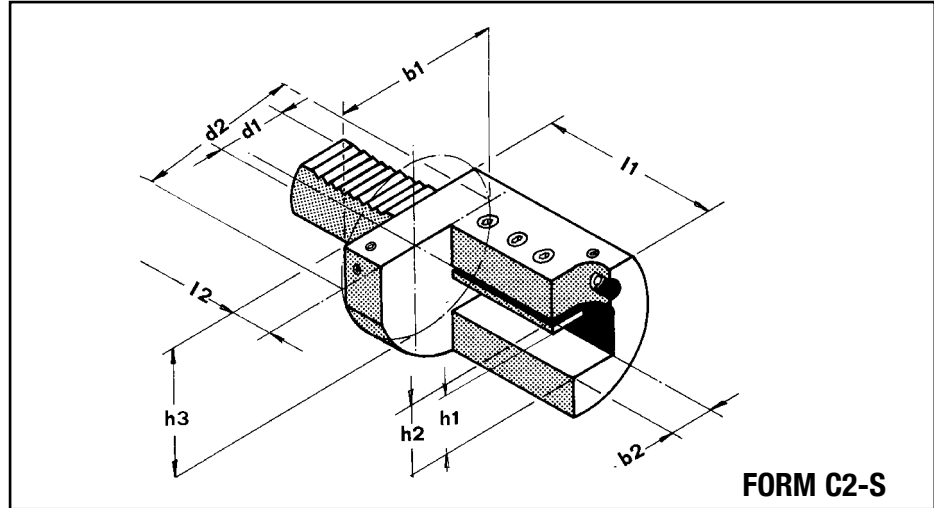


VDI Toolholders



Toolholder with parallel shank and longitudinal rectangular seat, left-hand special



Order No.	Device Type	Dimensions								
		d ₁	d ₂	b ₁	b ₂	h ₁	h ₂	h ₃	l ₁	l ₂
C2S30750	C2-S 30 x 3/4	30	83	69.5	18	3/4	29	69.5	70	18
C2S401000	C2-S 40 x 1	40	98	84	22	1	34	84	100	22
C2S501250	C2-S 50 x 1-1/4	50	123	104	25	1-1/4	41	104	120	22
C2S601250	C2-S 60 x 1-1/4	60	123	104	32	1-1/4	41	104	135	25
C2S801500	C2-S 80 x 1-1/2	80	158	134	40	1-1/2	49	134	140	30

All rights of modification reserved.