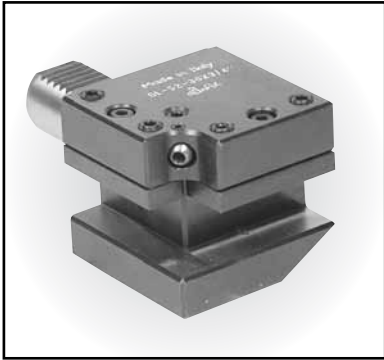
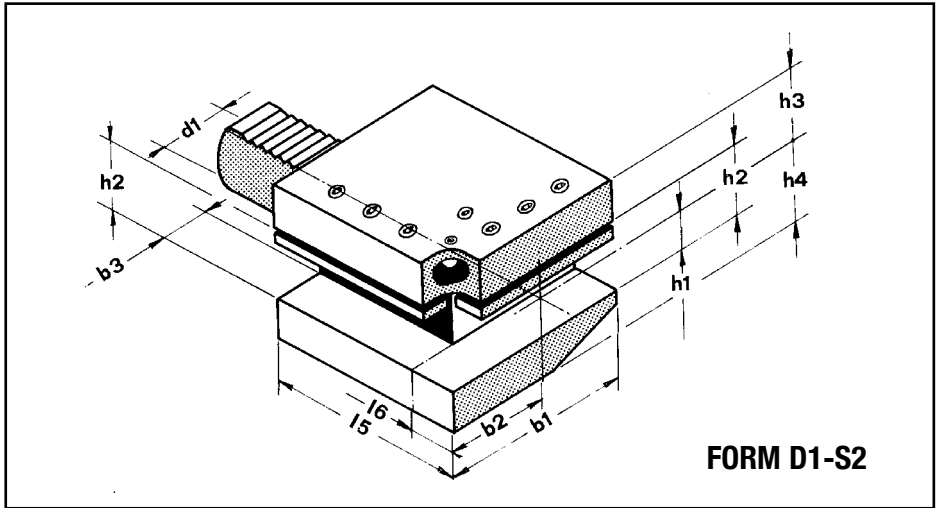


# VDI Toolholders



**Toolholder with parallel shank and multiple rectangular seats, left-hand special**



Order No.	Device Type	Dimensions									
		d <sub>1</sub>	b <sub>1</sub>	b <sub>2</sub>	b <sub>3</sub>	h <sub>1</sub>	h <sub>2</sub>	h <sub>3</sub>	h <sub>4</sub>	l <sub>5</sub>	l <sub>6</sub>
D1S220625	D1-S2 20 x 5/8	20	55	30	14	5/8	22	25	30	55	14
D1S230750	D1-S2 30 x 3/4	30	76	41	18	3/4	29	28	38	70	18
D1S2401000	D1-S2 40 x 1	40	90	47.5	22	1	34	32.5	48	85	22
D1S2501250	D1-S2 50 x 1-1/4	50	105	55	25	1-1/4	41	35	60	120	25
D1S2601250	D1-S2 60 x 1-1/4	60	125	62.5	30	1-1/4	41	42.5	62.5	135	30
D1S2801500	D1-S2 80 x 1-1/2	80	160	80	37	1-1/2	53	55	80	160	35