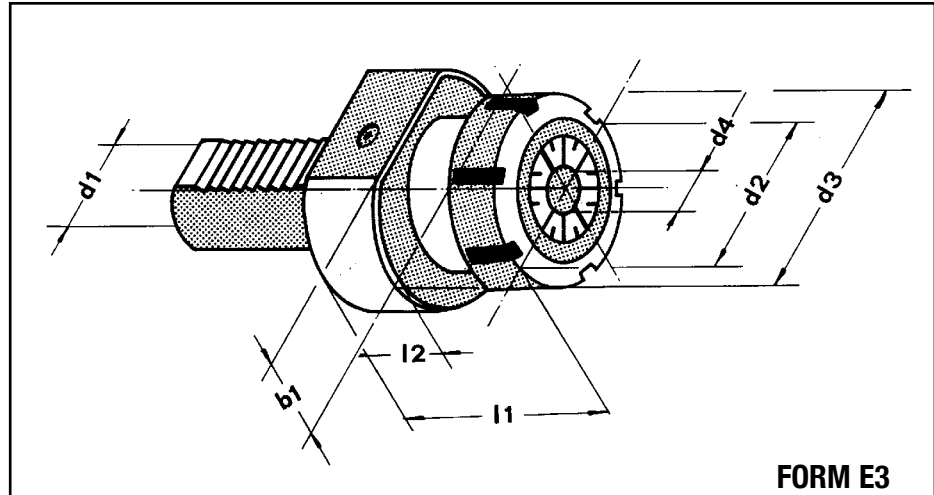


VDI Toolholders



ECK and TG style collet chucks with parallel shank



Our ECK Collet Chucks accepts the following competitors styles of collets: DR, ER, ECK & RD .

See pages 3-7 to 3-15 for ECK/ER collets

ECK STYLE

Order No.	Device Type	Dimensions						
		d ₁	d ₂	d ₃	d ₄	b ₁	l ₁	l ₂
E320ECX25	E3-20-ECX 25	20	42	50	1-16 mm	-	60	18
E330ECX25	E3-30-ECX 25	30	50	68	1-16 mm	28	65	22
E330ECX32	E3-30-ECX 32	30	50	68	2-20 mm	28	65	22
E330ECX40	E3-30-ECX 40	30	63	68	4-26 mm	28	75	22
E340ECX25	E3-40-ECX 25	40	42	83	1-16 mm	32.5	65	22
E340ECX32	E3-40-ECX 32	40	50	83	2-20 mm	32.5	65	22
E340ECX40	E3-40-ECX 40	40	63	83	4-26 mm	32.5	75	22
E350ECX40	E3-50-ECX 40	50	63	98	4-26 mm	35	75	30

TG STYLE

See pages 3-2 to 3-3 for TG collets

Order No.	Device Type	Dimensions						
		d ₁	d ₂	d ₃	d ₄	b ₁	l ₁	l ₂
E330TG100	E3-30-TG100	30	63.5	68	3/32"-1"	28	65	22
E340TG100	E3-40-TG100	40	63.5	83	3/32"-1"	32.5	65	22
E350TG100	E3-50-TG100	50	63.5	98	3/32"-1"	35	65	30
E360TG100	E3-60-TG100	60	63.5	123	3/32"-1"	42.5	85	30
E360TG150	E3-60-TG150	60	82.5	123	1/2"-1-1/2"	42.5	85	30