

VDI Toolholders

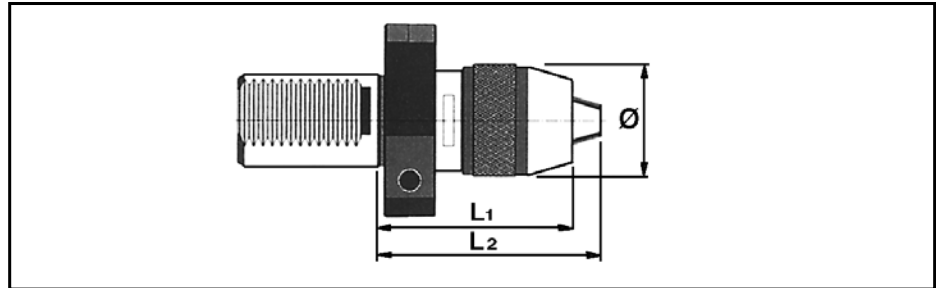


**Super Precision
Short Keyless
Drill Chuck
With VDI Shank**

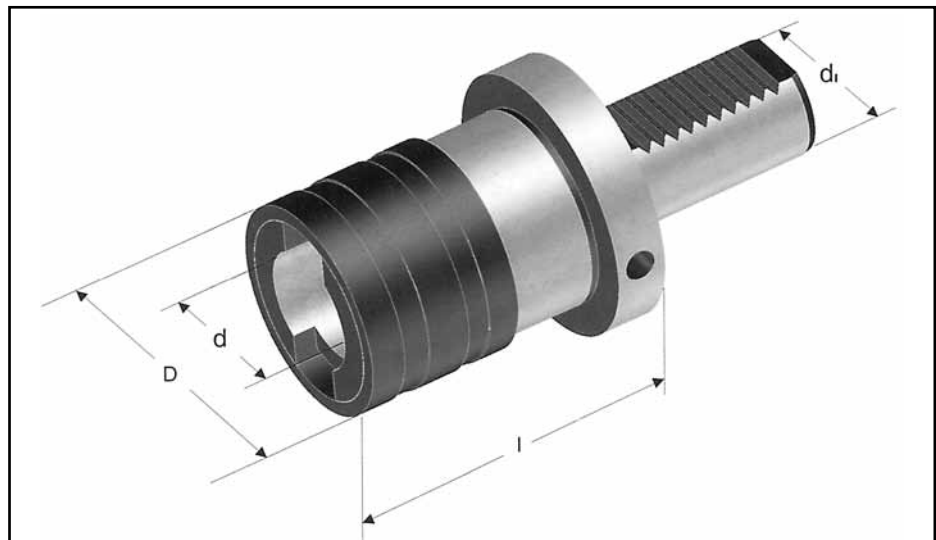


**VDI Shank
Tappers With
Tension &
Compression**

**See pages 3-36 to 3-37 for
Quick Change Tap Adapters**



Order No.	Device Type	d ₁		Capacity Minimum		Range Ød Maximum		Dimensions			Sleeve dia (D)	
		mm	inches	mm	inches	mm	inches	Closed L		mm	inches	mm
E73008	NPU-08-VDI30	30	0	0	0.3125	8	3.11	79	2.83	72	1.50	38
E73013	NPU-13-VDI30	30	0.031	1	0.500	13	4.13	105	3.70	94	1.89	48
E74013	NPU-13-VDI40	40	0.031	1	0.500	13	3.62	92	3.34	85	1.89	48
E74016	NPU-16-VDI40	40	0.125	3	0.625	16	3.78	96	3.34	85	2.17	55
E75016	NPU-16-VDI50	50	0.125	3	0.625	16	3.86	98	3.43	87	2.17	55
E76016	NPU-16-VDI60	60	0.125	3	0.625	16	3.86	98	3.43	87	2.17	55



Order No.	Device Type	d ₁	d	D	l	Tap Capacity		Compensation	
						inches	mm	Return	Extra
E52019	32400 VDI20	20	19	38	55	NO. 6-9/16	M3-M12	9	9
E52031	32600 VDI20	20	31	55	77	5/16-7/8	M8-M20	15	15
E52519	32400 VDI25	25	19	38	55	NO. 6-9/16	M3-M12	9	9
E52531	32600 VDI25	25	31	55	77	5/16-7/8	M8-M20	15	15
E53019	32400 VDI30	30	19	38	55	NO. 6-9/16	M3-M12	9	9
E53031	32600 VDI30	30	31	55	77	5/16-7/8	M8-M20	15	15
E54019	32400 VDI40	40	19	38	55	NO. 6-9/16	M3-M12	9	9
E54031	32600 VDI40	40	31	55	77	5/16-7/8	M8-M20	15	15
E54048	32800 VDI40	40	48	79	110	13/16-1-3/8	M14-M33	24	24
E55048	32800 VDI50	50	48	79	110	13/16-1-3/8	M14-M33	24	24