

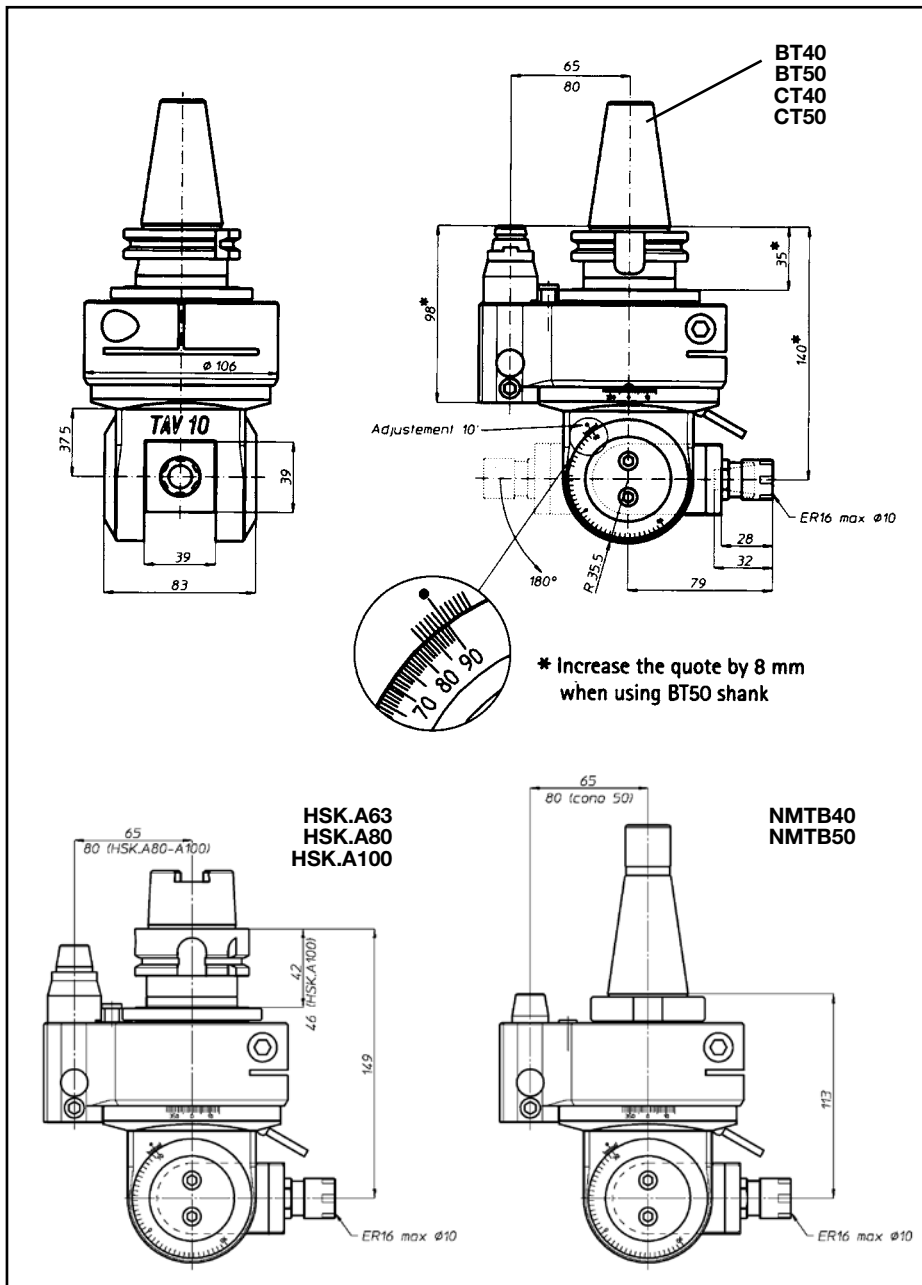
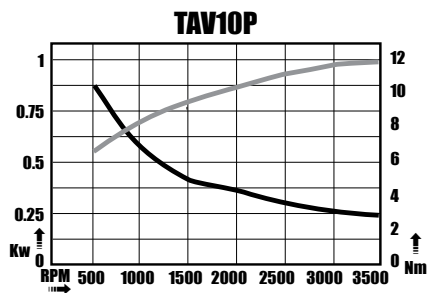
TAV10.P- Universal Angle Heads



- TAV10.P - CT40/CT50**
- TAV10.P - MAS403-BT40/BT50**
- TAV10.P-HSK-A63**
DIN69893
- TAV10.P-HSK-A80**
DIN69893
- TAV10.P-HSK-A100**
DIN69893

Ø10mm 3/8"	M8 5/16"	1-1	Rpm 4000	Kg 6.4-40 8.5-50

— Power
— Max. Torque



* Increase the quote by 8 mm when using BT50 shank

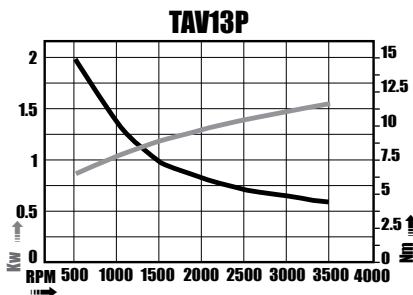
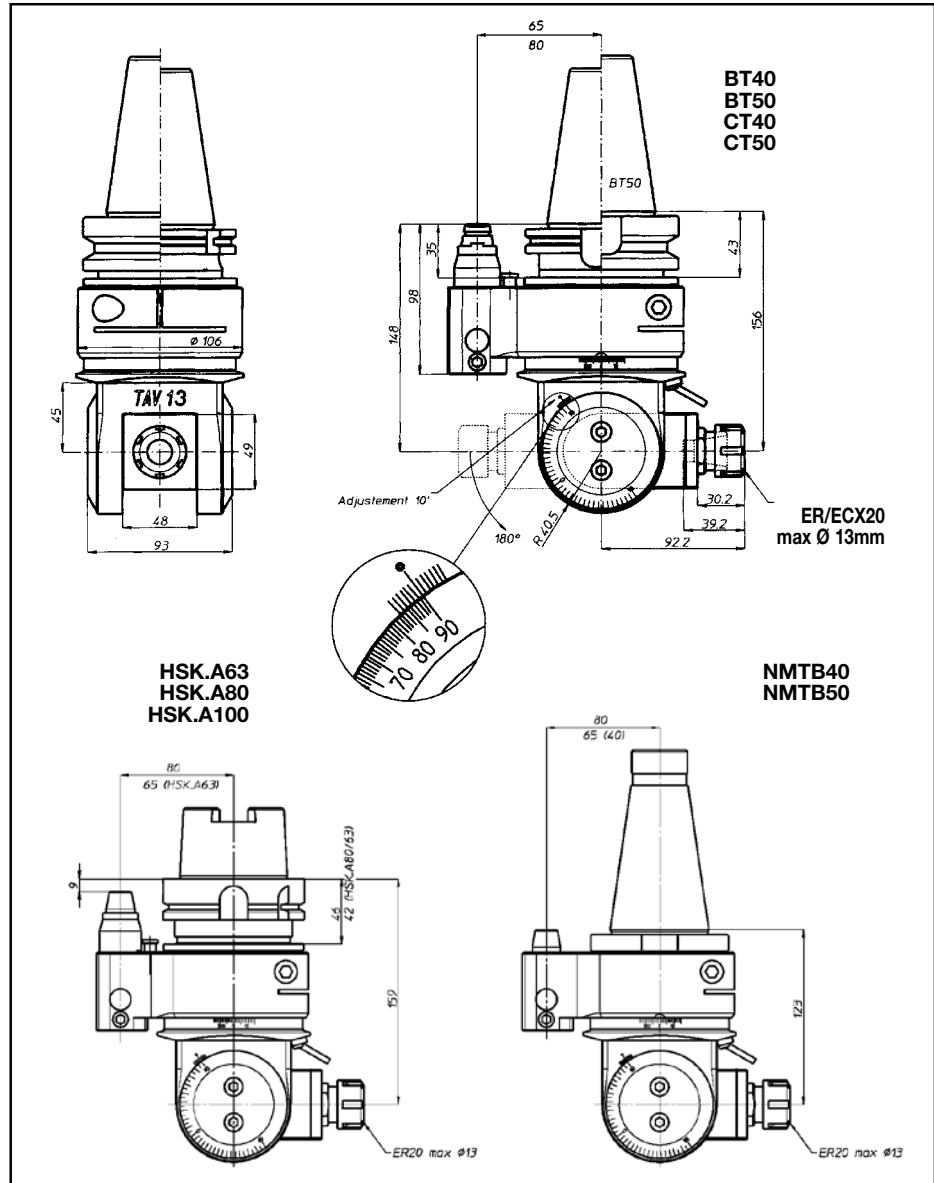
Taper	Order No.	Device Type	Output Spindle Collet Style	Max. Capacity
BT40	TAV10PB40	BT40 - TAV10P	ER/ECX16	10mm (3/8")
BT50	TAV10PB50	BT50 - TAV10P	ER/ECX16	10mm (3/8")
CT40	TAV10PC40	CT40 - TAV10P	ER/ECX16	10mm (3/8")
CT50	TAV10PC50	CT50 - TAV10P	ER/ECX16	10mm (3/8")
HSK63A	TAV10PH63	HSK63A-TAV10P	ER/ECX16	10mm (3/8")
HSK80A	TAV10PH80	HSK80A-TAV10P	ER/ECX16	10mm (3/8")
HSK100A	TAV10PH100	HSK100A-TAV10P	ER/ECX16	10mm (3/8")
NMTB40	TAV10PN40	NMTB40-TAV10P	ER/ECX16	10mm (3/8")
NMTB50	TAV10PN50	NMTB50-TAV10P	ER/ECX16	10mm (3/8")

TAV13.P- Universal Angle Heads



- TAV13.P - CT40/CT50**
- TAV13.P - MAS 403-BT40/BT50**
- TAV13.P-HSK-A63**
DIN69893
- TAV13.P-HSK-A80**
DIN69893
- TAV13.P-HSK-A100**
DIN69893
- TAV13.P - NMTB-50**

Ø13mm 1/2"	M10 3/8"	1-1	Rpm 3000	Kg 7.8-40 10.5-50



Taper	Order No.	Device Type	Output Spindle Collet Style	Max. Capacity Ø
BT40	TAV13PB40	BT40 - TAV13P	ER/ECX20	13mm (1/2")
BT50	TAV13PB50	BT50 - TAV13P	ER/ECX20	13mm (1/2")
CT40	TAV13PC40	CT40 - TAV13P	ER/ECX20	13mm (1/2")
CT50	TAV13PC50	CT50 - TAV13P	ER/ECX20	13mm (1/2")
HSK63A	TAV13PH63	HSK63A-TAV13P	ER/ECX20	13mm (1/2")
HSK80A	TAV13PH80	HSK80A-TAV13P	ER/ECX20	13mm (1/2")
HSK100A	TAV13PH100	HSK100A-TAV13P	ER/ECX20	13mm (1/2")
NMTB40	TAV13PN40	NMTB40 - TAV13P	ER/ECX20	13mm (1/2")
NMTB50	TAV13PN50	NMTB50 - TAV13P	ER/ECX20	13mm (1/2")

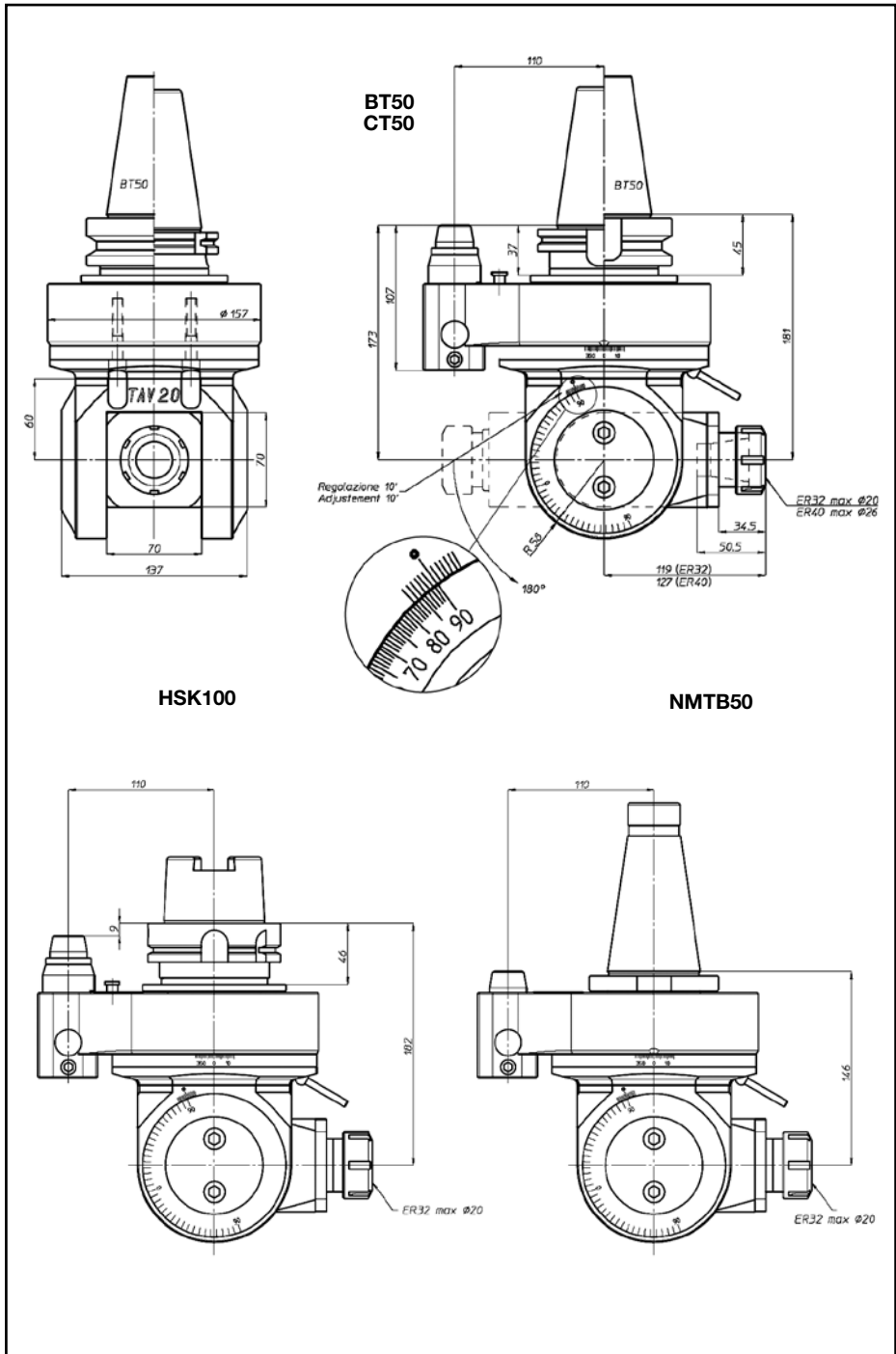
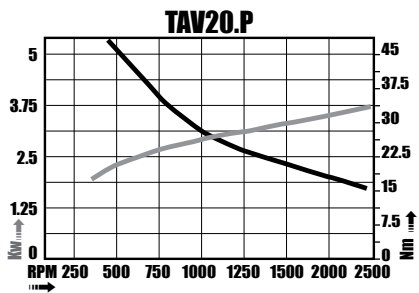
TAV20.P- Universal Angle Heads



TAV20.P - CT50
TAV20.P - MAS 403 - BT50
TAV20.P - NMTB-50

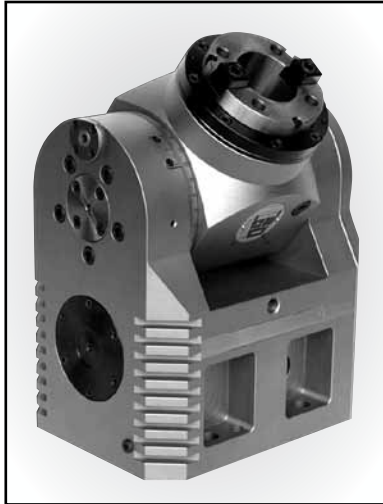
Ø20mm 3/4"	M16 5/8"	1-1	2500	18.5 50

———— Power
———— Max. Torque



Taper	Order No.	Device Type	Output Spindle Collet Style	Max. Capacity Ø
BT50	TAV20PB50	BT50 - TAV20P	ECX/ER32	20mm (3/4")
CT50	TAV20PC50	CT50 - TAV20P	ECX/ER32	20mm (3/4")
HSK100A	TAV20PH100	HSK100A - TAV20P	ECX/ER32	20mm (3/4")
MTB50	TAV20PN50	NMTB50 - TAV20P	ECX/ER32	20mm (3/4")

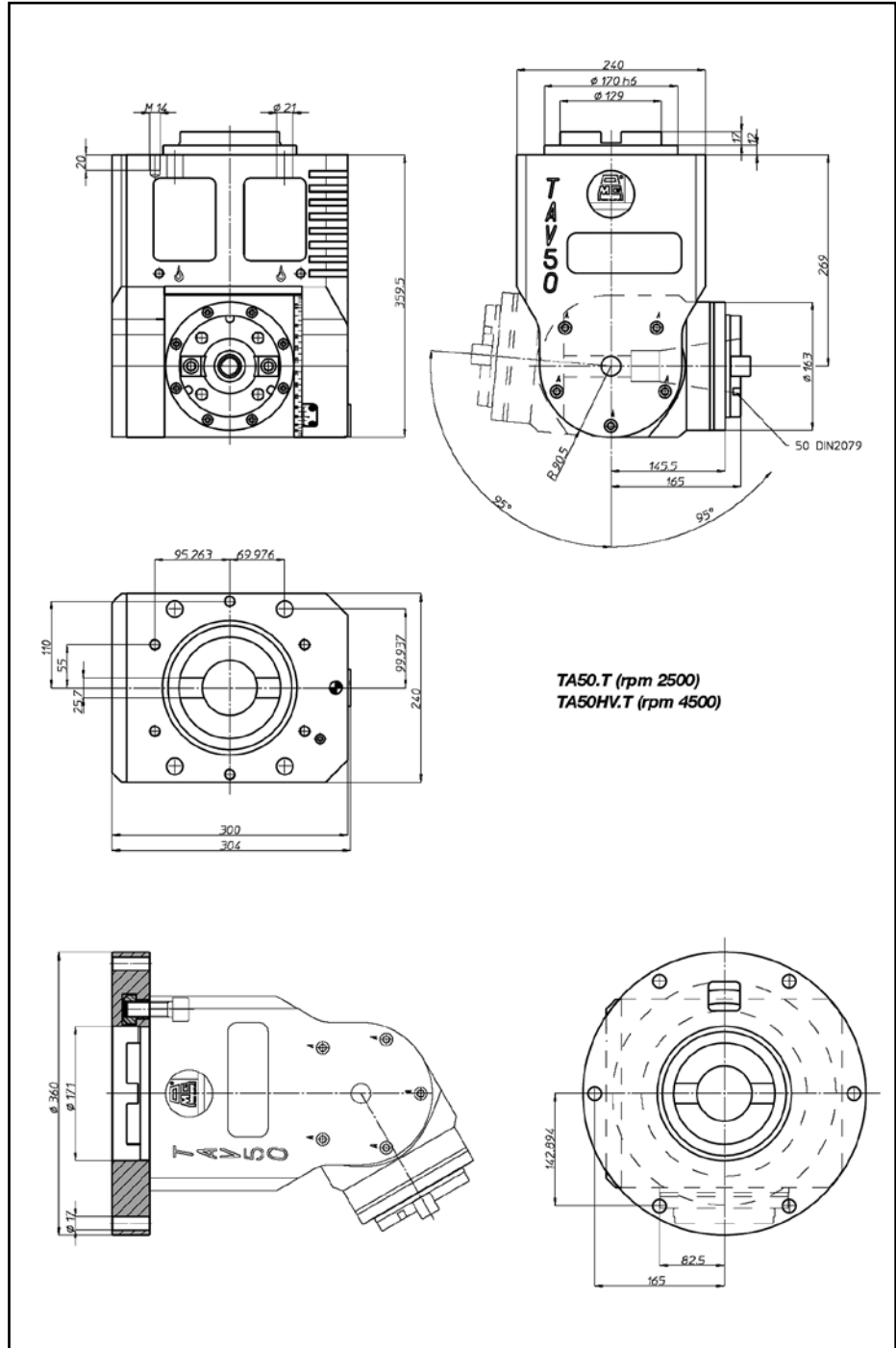
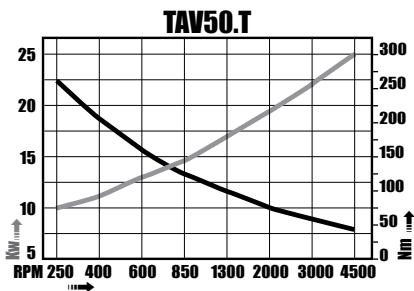
TAV50.T- Universal Angle Heads



TAV50.T - CT50
TAV50.T- MAS 403 - BT50
TAV50.T - NMTB-50

Ø45 mm	M36	1-1 1-2	2500 4500	145

— Power
— Max. Torque



TA50.T (rpm 2500)
TA50HV.T (rpm 4500)

Taper	Order No.	Device Type	Output Spindle Taper
50	TA50T	TA50T	CT50
50	TA50HVT	TA50HVT	CT50