

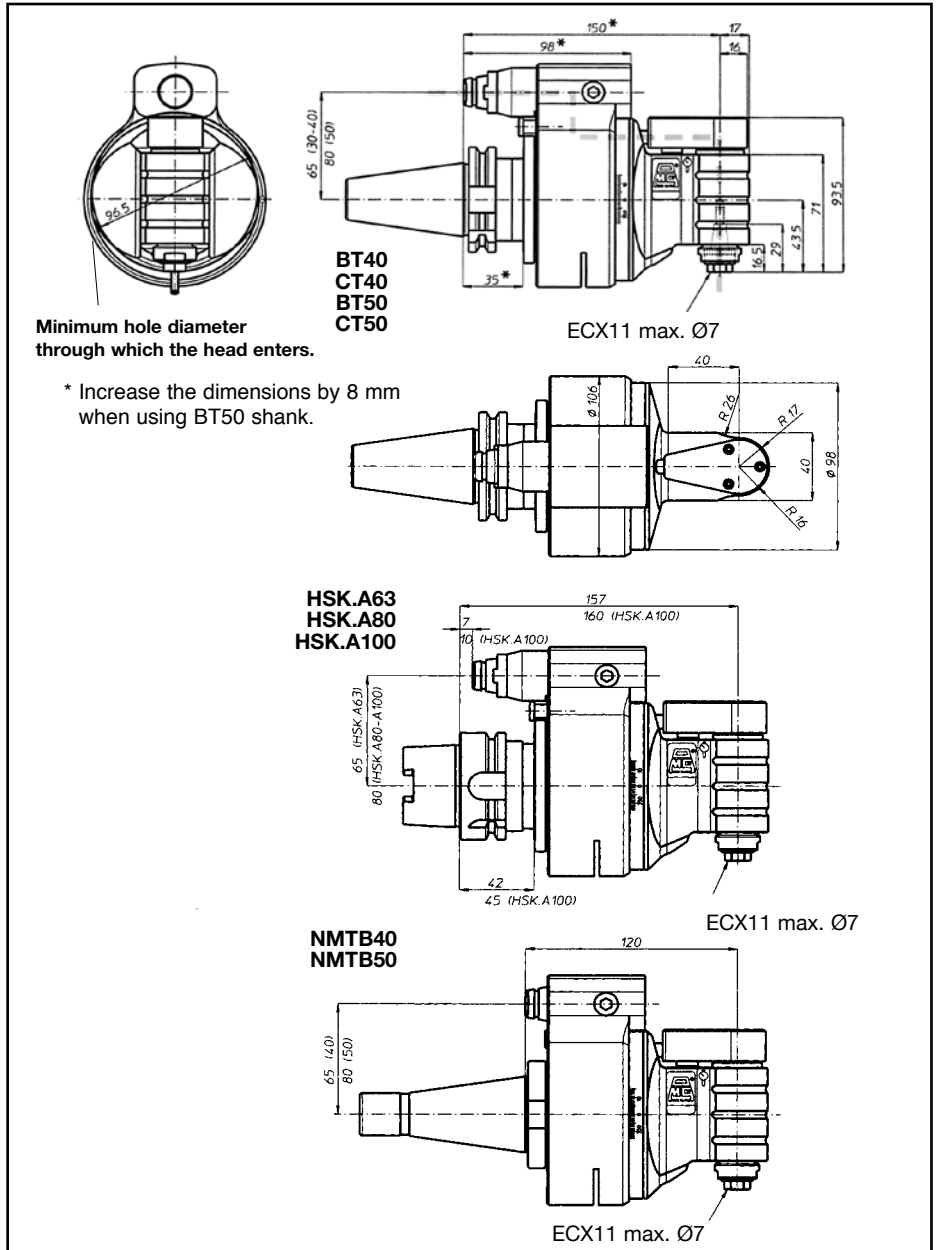
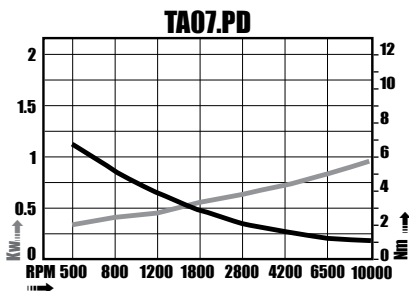
# TA07.PD Right Angle Heads



**With Coolant Through Output Spindle**

Ø7	M6	1-1	10000	5-40	10	
1/4"	1/4"			7-50	bar	

— Power  
— Max. Torque



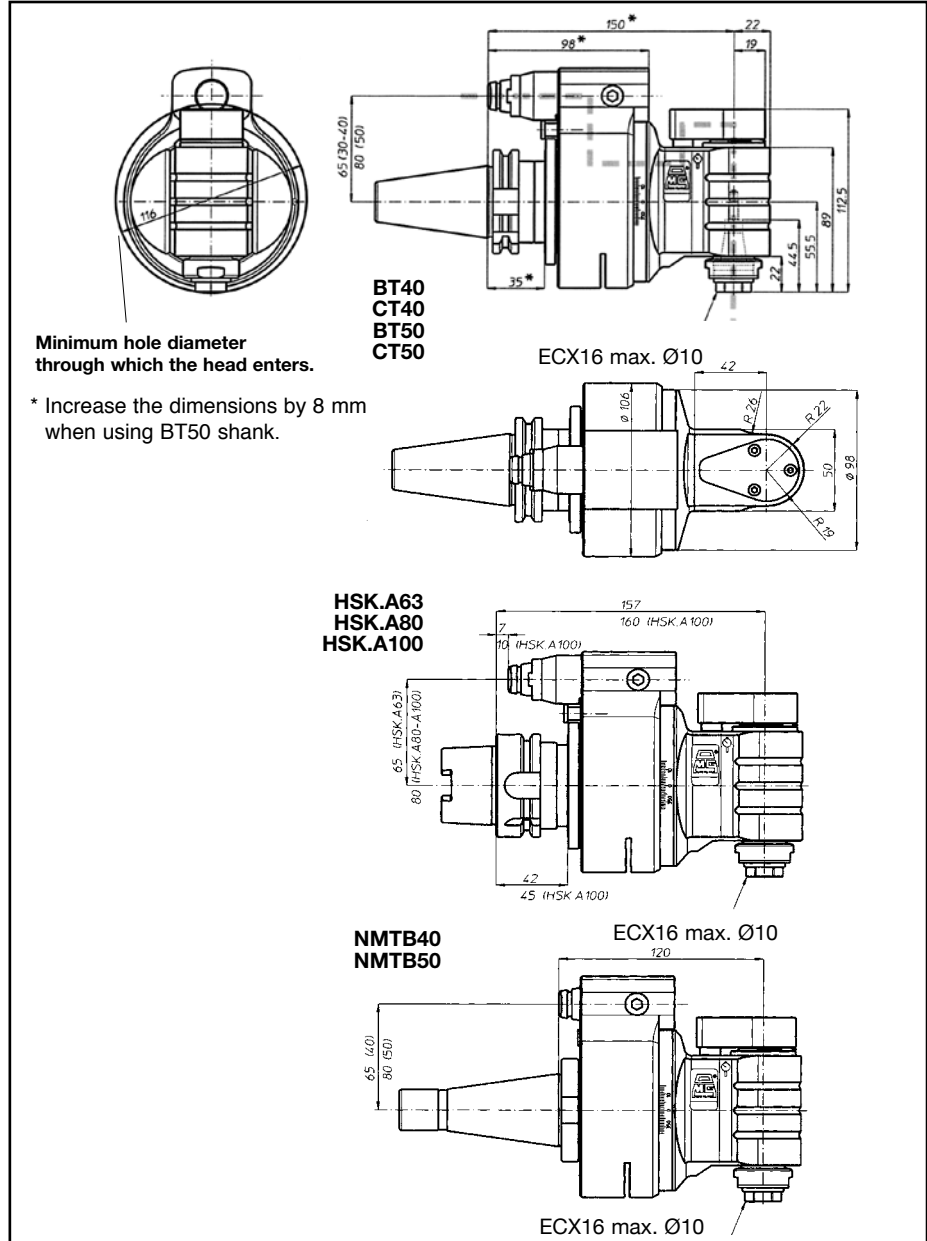
Taper	Order No.	Device Type	Output Spindle Collet Style	Max. Capacity Ø
BT40	TA07PDB40	BT40-TA07PD	ECX/ER11	7 mm
BT50	TA07PDB50	BT50-TA07PD	ECX/ER11	7 mm
CT40	TA07PDC40	CT40-TA07PD	ECX/ER11	7 mm
CT50	TA07PDC50	CT50-TA07PD	ECX/ER11	7 mm
HSKA63A	TA07PH63	HSK63A-TA07PD	ECX/ER11	7 mm
HSKA80A	TA07PH80	HSK80A-TA07PD	ECX/ER11	7 mm
HSKA100A	TA07PH100	HSK100A-TA07PD	ECX/ER11	7 mm
NMTB40	TA07PN40	NMTB40-TA07PD	ECX/ER11	7 mm
NMTB50	TA07PN50	NMTB50-TA07PD	ECX/ER11	7 mm

# TA10.PD Right Angle Heads

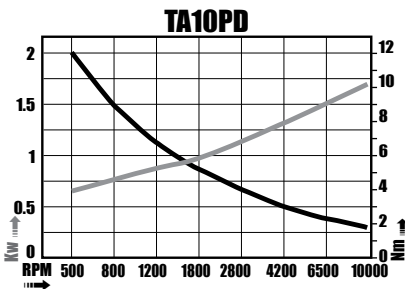


**With Coolant  
Through  
Output  
Spindle**

Ø10 3/8"	M8 5/16"	1-1	Rpm 10000	Kg 5.5-40 7.5-50	10 bar

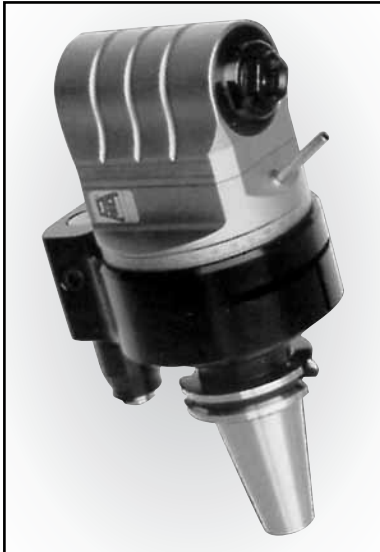


— Power  
— Max. Torque



Taper	Order No.	Device Type	Output Spindle Collet Style	Max. Capacity Ø
BT40	TA10PDB40	BT40-TA10PD	ECX/ER16	10mm (3/8")
BT50	TA10PDB50	BT50-TA10PD	ECX/ER16	10mm (3/8")
CT40	TA10PDC40	CT40-TA10PD	ECX/ER16	10mm (3/8")
CT50	TA10PDC50	CT50-TA10PD	ECX/ER16	10mm (3/8")
HSK63A	TA10PDH63	HSK63A-TA10PD	ECX/ER16	10mm (3/8")
HSK80A	TA10PDH80	HSK80A-TA10PD	ECX/ER16	10mm (3/8")
HSK80A	TA10PDH80	HSK80A-TA10PD	ECX/ER16	10mm (3/8")
HSK100A	TA10PDH100	HSK100A-TA10PD	ECX/ER16	10mm (3/8")
NMTB40	TA10PDN40	NMTB40-TA10PD	ECX/ER16	10mm (3/8")
NMTB50	TA10PDN50	NMTB50-TA10PD	ECX/ER16	10mm (3/8")

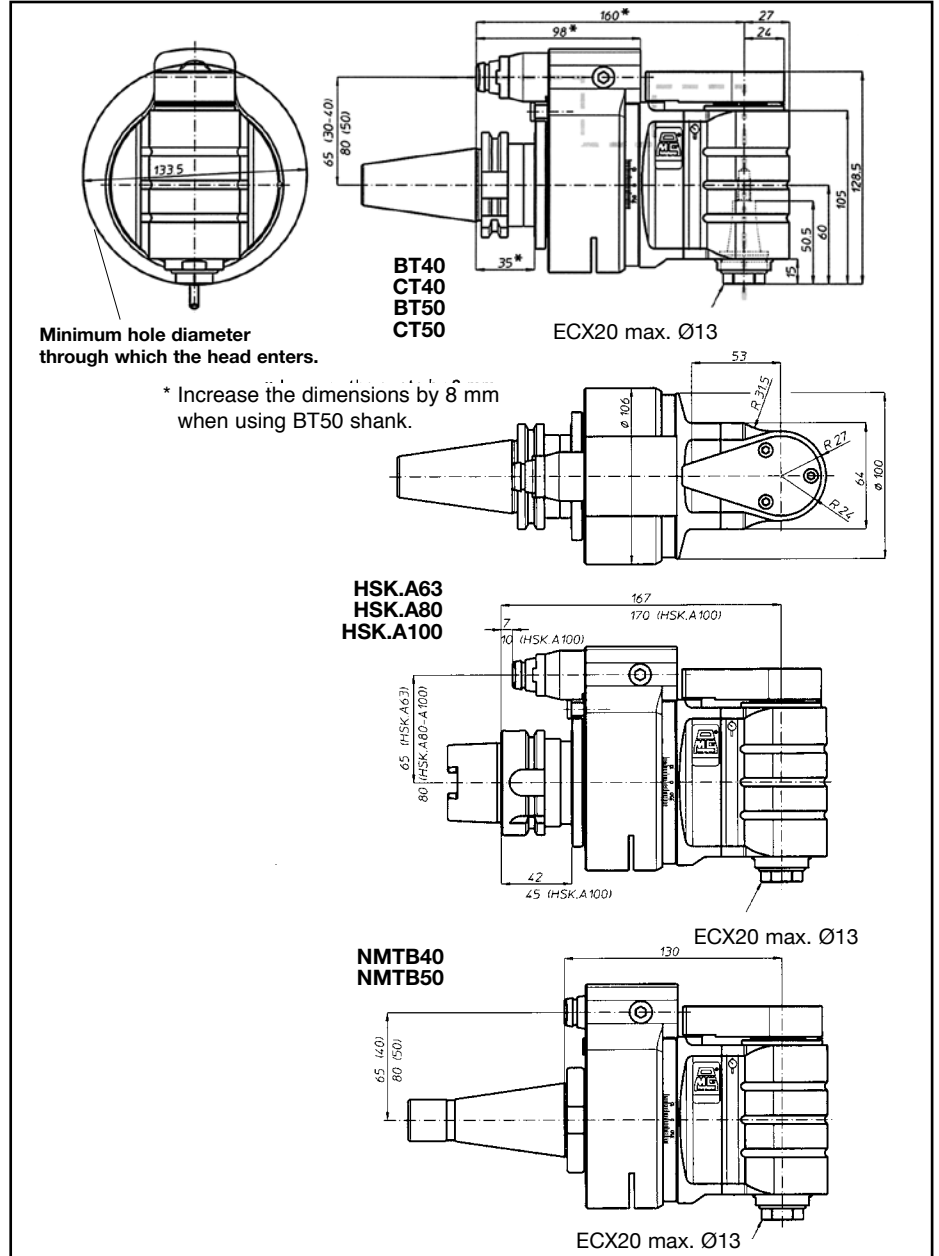
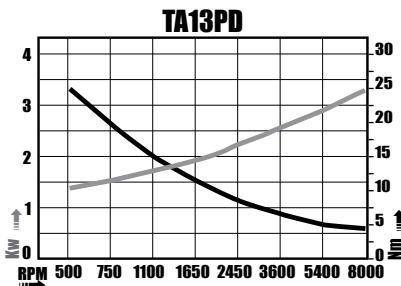
# TA13.PD Right Angle Heads



**With Coolant  
Through  
Output  
Spindle**

Ø10 1/2"	M10 3/8"	1-1	Rpm 8000	Kg 6.5-40 7.5-50	10 bar

— Power  
— Max. Torque



Taper	Order No.	Device Type	Output Spindle Collet Style	Max. Capacity Ø
BT40	TA13PDB40	BT40-TA13PD	ECX/ER16	13mm (1/2")
BT50	TA13PDB50	BT50-TA13PD	ECX/ER16	13mm (1/2")
CT40	TA13PDC40	CT40-TA13PD	ECX/ER16	13mm (1/2")
CT50	TA13PDC50	CT50-TA13PD	ECX/ER16	13mm (1/2")
HSK63A	TA13PDH63	HSK63A-TA13PD	ECX/ER16	13mm (1/2")
HSK80A	TA13PDH80	HSK80A-TA13PD	ECX/ER16	13mm (1/2")
HSK100A	TA13PDH100	HSK100A-TA13PD	ECX/ER16	13mm (1/2")
NMTB40	TA13PDN40	NMTB40-TA13PD	ECX/ER16	13mm (1/2")
NMTB50	TA13PDN50	NMTB50-TA13PD	ECX/ER16	13mm (1/2")

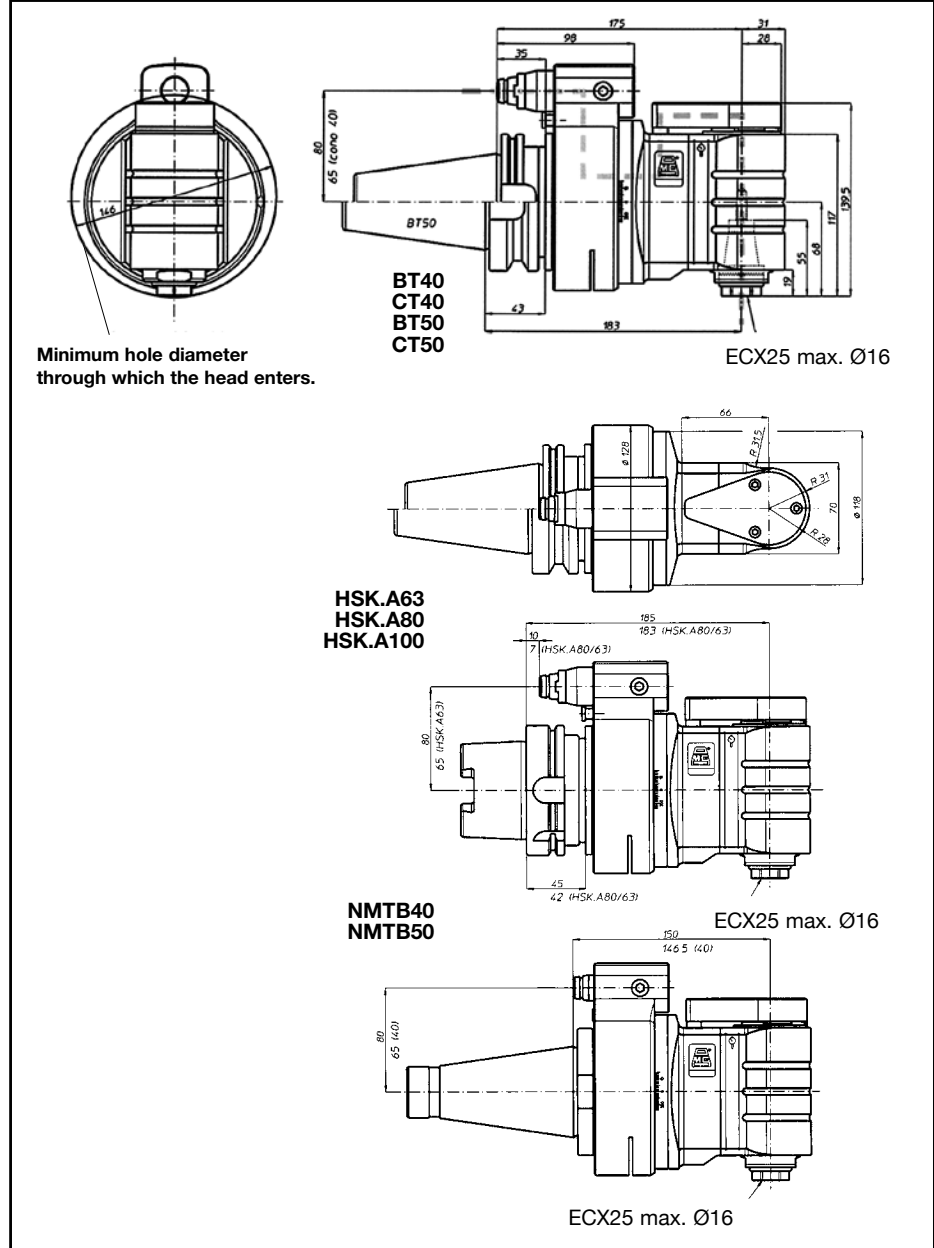
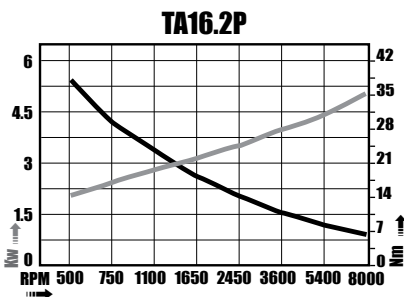
# TA16.PD Right Angle Heads



**With Coolant  
Through  
Output  
Spindle**

Ø16 / M12	1-1	6000	Rpm	7.7-40 / 11.2-50	8 bar

— Power  
— Max. Torque



Taper	Order No.	Device Type	Output Spindle Collet Style	Max. Capacity Ø
BT40	TA16PDB40	BT40-TA16PD	ECX/ER25	16mm (5/8")
BT50	TA16PDB50	BT50-TA16PD	ECX/ER25	16mm (5/8")
CT40	TA16PDC40	CT40-TA16PD	ECX/ER25	16mm (5/8")
CT50	TA16PDC50	CT50-TA16PD	ECX/ER25	16mm (5/8")
HSK63A	TA16PDH63	HSK63A-TA16PD	ECX/ER25	16mm (5/8")
HSK80A	TA16PDH80	HSK80A-TA16PD	ECX/ER25	16mm (5/8")
HSK100A	TA16PDH100	HSK100A-TA16PD	ECX/ER25	16mm (5/8")
NMTB40	TA16PDN40	NMTB40-TA16PD	ECX/ER25	16mm (5/8")
NMTB50	TA16PDN50	NMTB50-TA16PD	ECX/ER25	16mm (5/8")

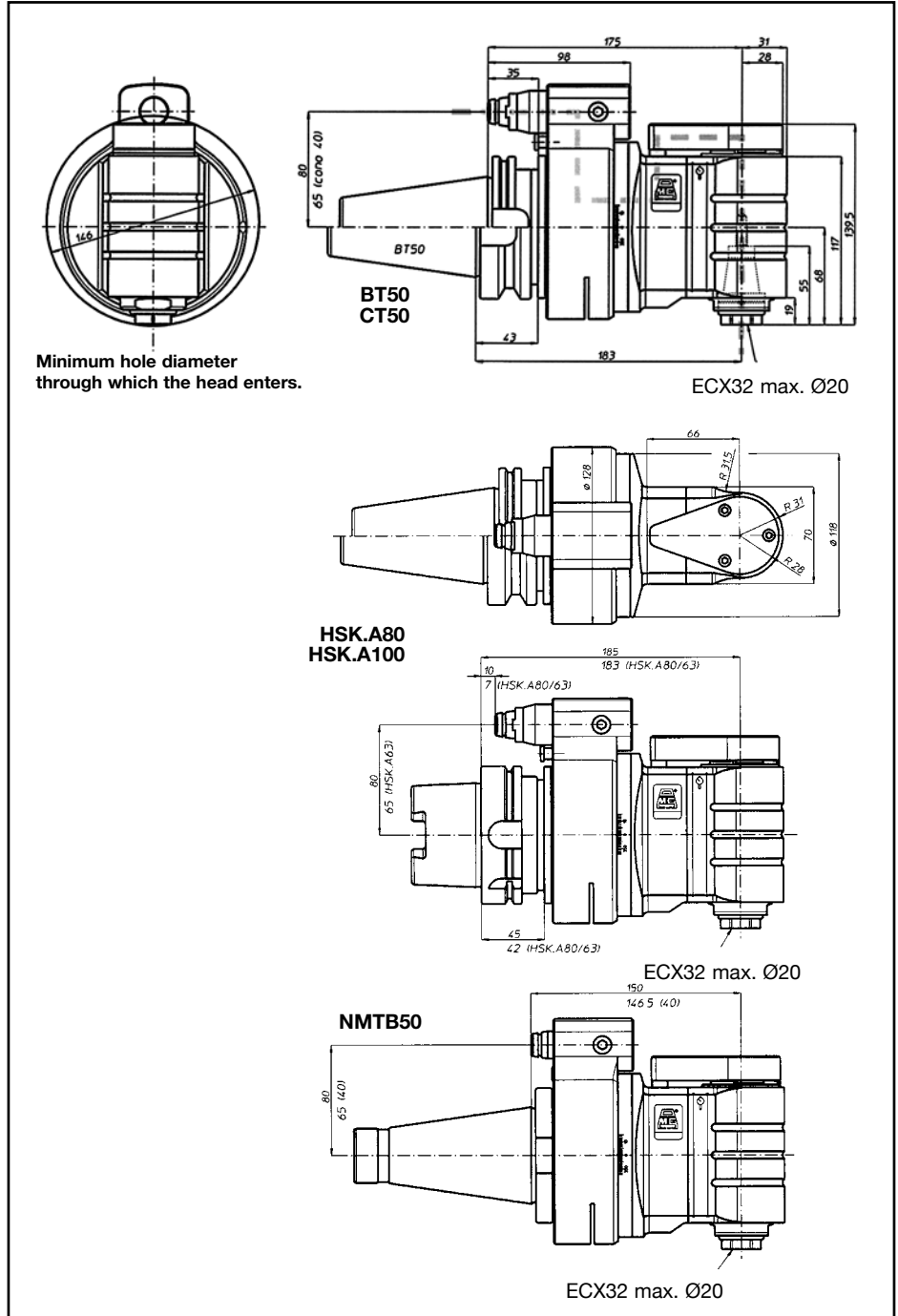
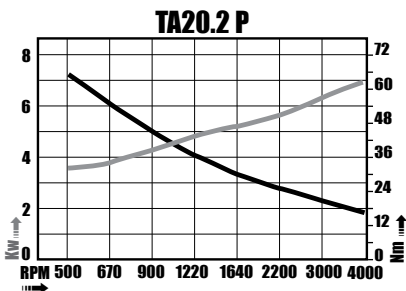
# TA20.PD Right Angle Heads



**With Coolant Through Output Spindle**

Ø20 M14 3/4" 9/16"	1-1	3500	14-50	8 bar	

— Power  
— Max. Torque



Taper	Order No.	Device Type	Output Spindle Collet Style	Max. Capacity Ø
BT50	TA20PDB50	BT50-TA20PD	ECX/ER32	20mm (3/4")
CT50	TA20PDC50	CT50-TA20PD	ECX/ER32	20mm (3/4")
HSK80A	TA20PDH100	HSK80A-TA20PD	ECX/ER32	20mm (3/4")
HSK100A	TA20PDH100	HSK100A-TA20PD	ECX/ER32	20mm (3/4")
NMTB50	TA20PDN50	NMTB50-TA20PD	ECX/ER32	20mm (3/4")

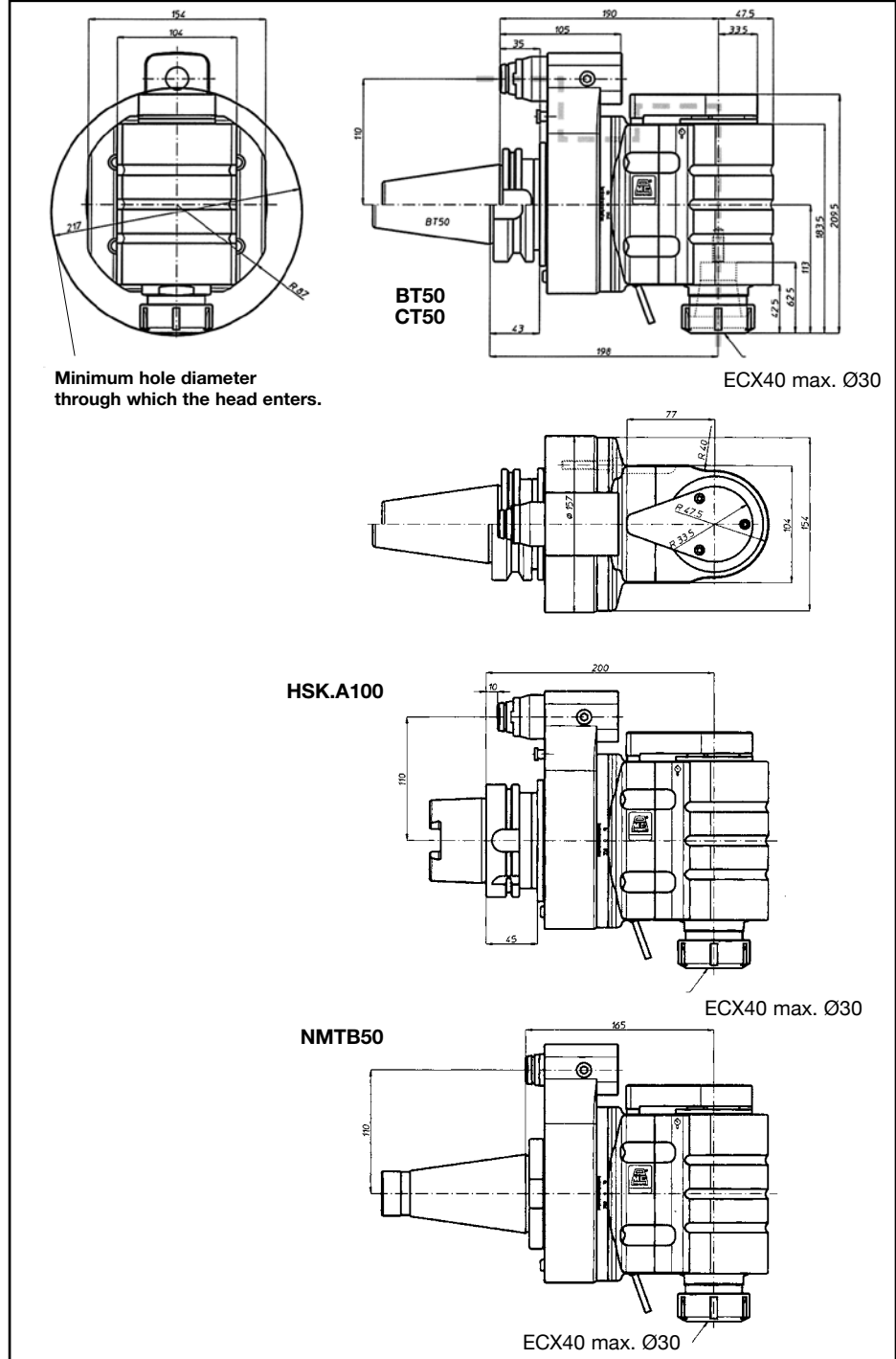
# TA26.PD Right Angle Heads



**With Coolant  
Through  
Output  
Spindle**

Ø26 1"	M20 3/4"	1-1	Rpm	21-50 Kg	8 bar

— Power  
— Max. Torque



Taper	Order No.	Device Type	Output Spindle Collet Style	Max. Capacity Ø
BT50	TA26PDB50	BT50-TA26PD	ECX/ER40	26mm (1")
CT50	TA26PDC50	CT50-TA26PD	ECX/ER40	26mm (1")
HSK100A	TA26PDH100	HSK100A-TA26PD	ECX/ER40	26mm (1")
NMTB50	TA26PDN50	NMTB50-TA26PD	ECX/ER40	26mm (1")

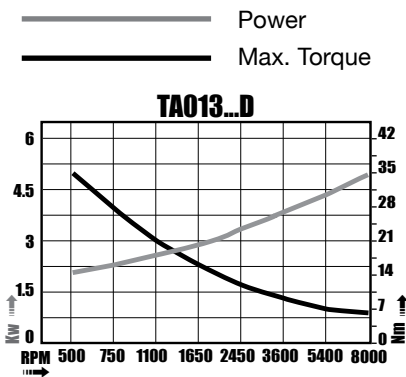
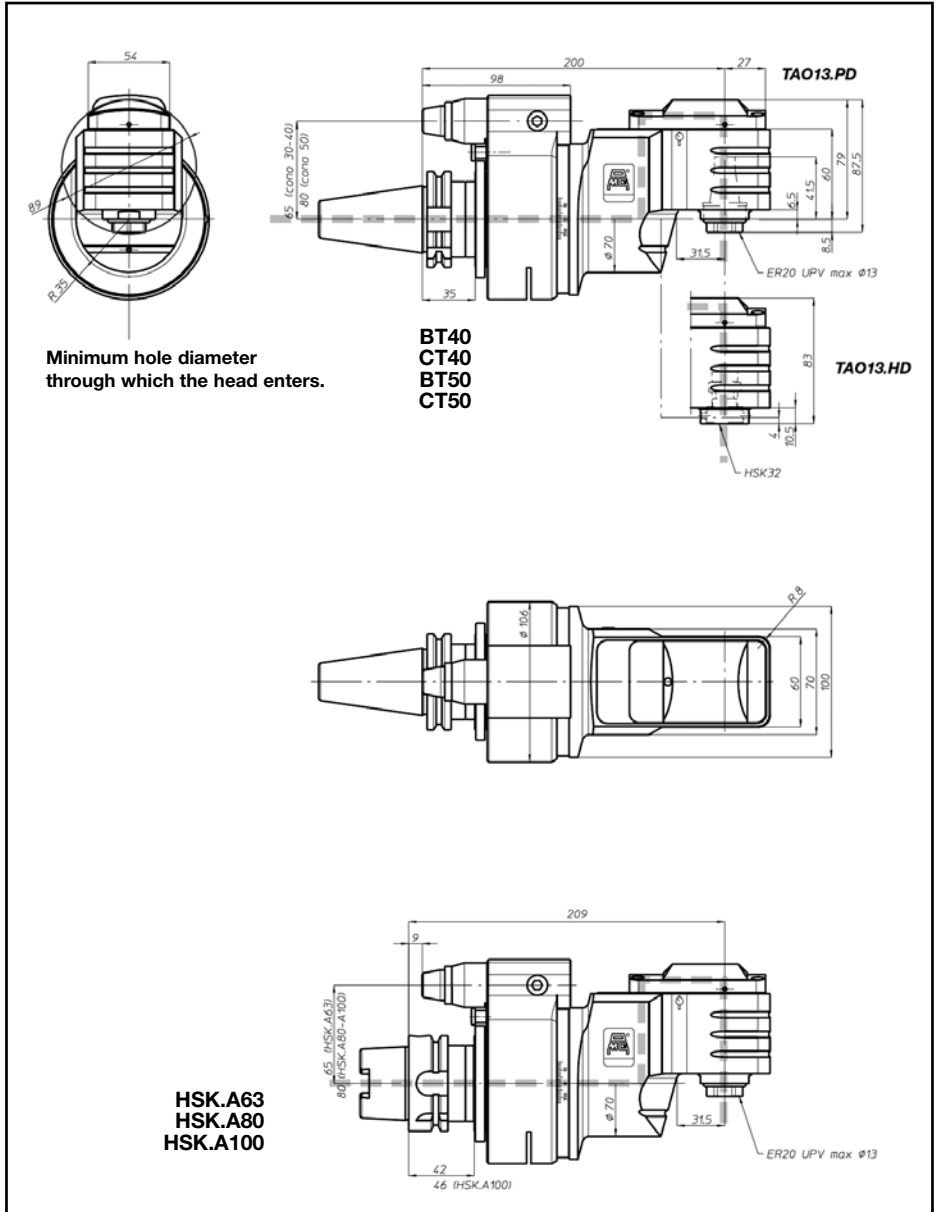


# TA013...D Right Angle Heads



**TA013...D**

Ø13	M10	1-1	Rpm 4500	Kg 7,5-40 10,5-50	40 bar



Taper	Order No.	Device Type	Output Spindle Collet Style	Max. Capacity Ø
BT40	TA013*B40	BT40-TA013*D	ECX/ER20	13mm (1/2")
BT50	TA013*B50	BT50-TA013*D	ECX/ER20	13mm (1/2")
CT40	TA013*C40	CT40-TA013*D	ECX/ER20	13mm (1/2")
CT50	TA013*C50	CT50-TA013*D	ECX/ER20	13mm (1/2")
HSK63A	TA013*H63	HSK63A-TA013*D	ECX/ER20	13mm (1/2")
HSK80A	TA013*H80	HSK80A-TA013*D	ECX/ER20	13mm (1/2")
HSK100A	TA013*H100	HSK100A-TA013*D	ECX/ER20	13mm (1/2")

\* P = ECX/ER20 Output H = HSK32A Output

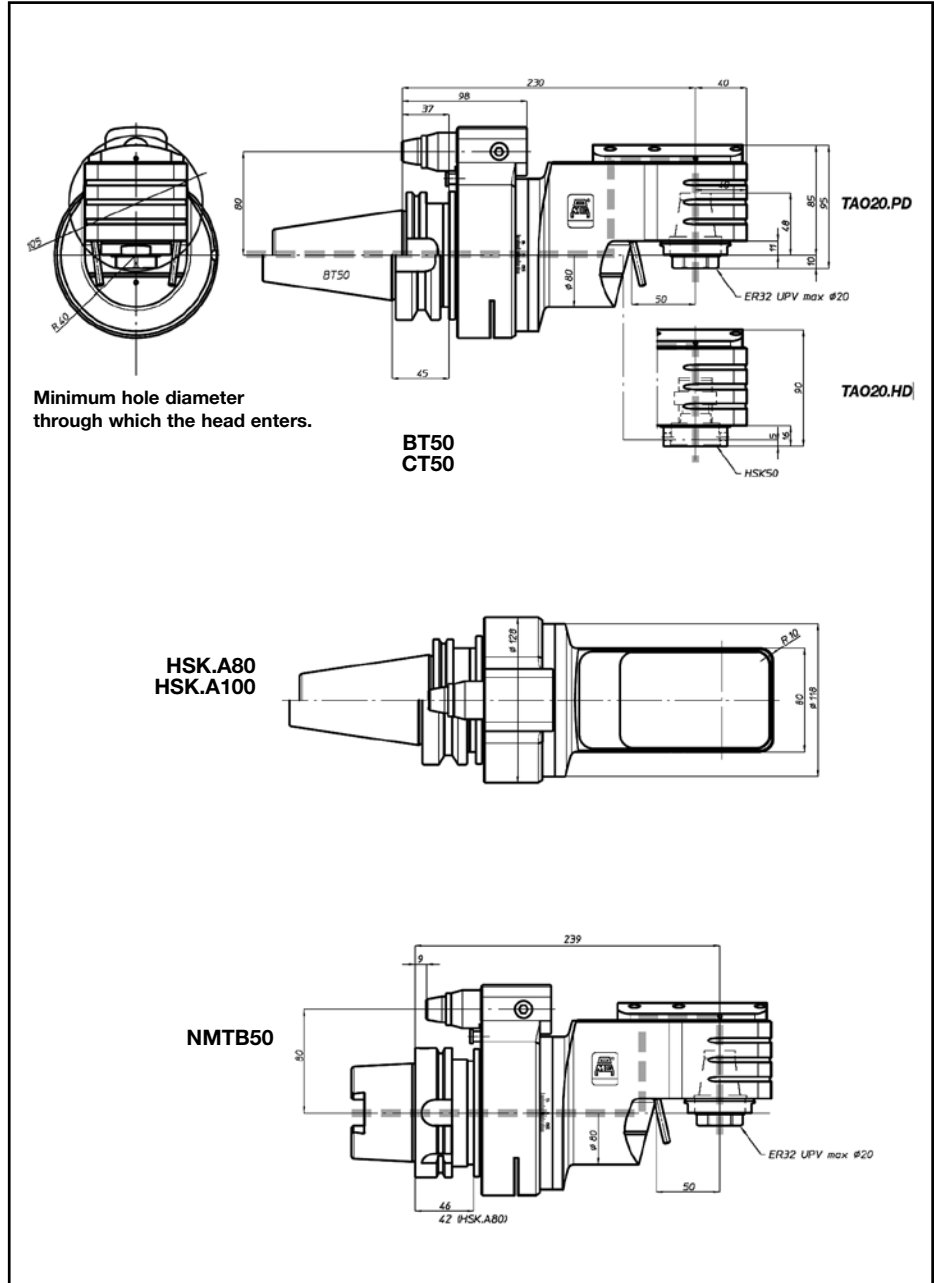
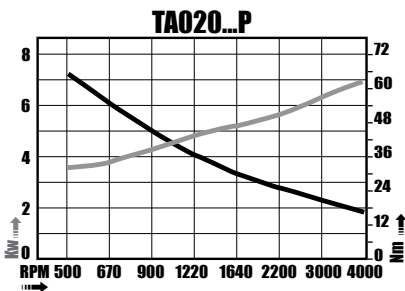
# TAO20...D Right Angle Heads



## TAO20...D

Ø20   M14 3/4"   9/16"	1-1	3500	14-50	8	bar

— Power  
— Max. Torque



Taper	Order No.	Device Type	Output Spindle Collet Style	Max. Capacity Ø
BT50	TA020*DB50	BT50-TA020*D	ECX/ER32	20mm (3/4")
CT50	TA020*DC50	CT50-TA020*D	ECX/ER32	20mm (3/4")
HSK80A	TA020*DH100	HSK80A-TA020*D	ECX/ER32	20mm (3/4")
HSK100A	TA020*DH100	HSK100A-TA020*D	ECX/ER32	20mm (3/4")

\* P = ECX/ER32 Output H = HSK50A Output