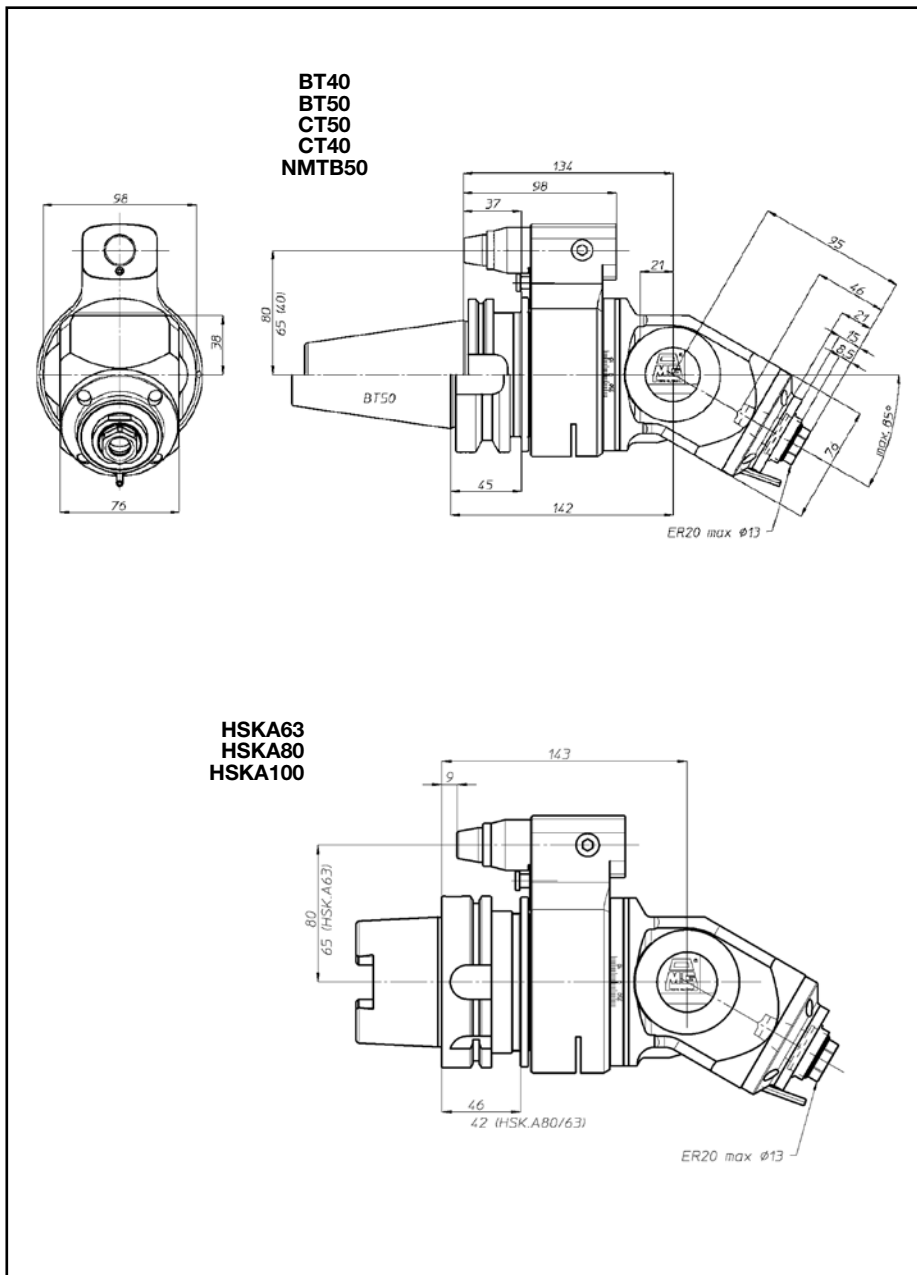


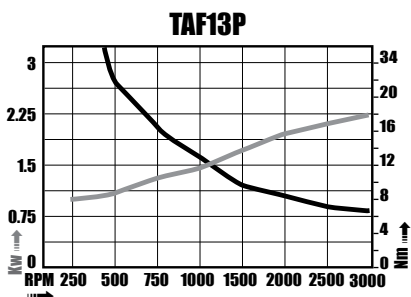
TAF13P - Fixed Angle Heads



TAF13P - CT40
TAF13P - MAS 403-BT40
TAF13P - CT50
TAF13P - MAS 403-BT50
TAF13P - NMTB-50

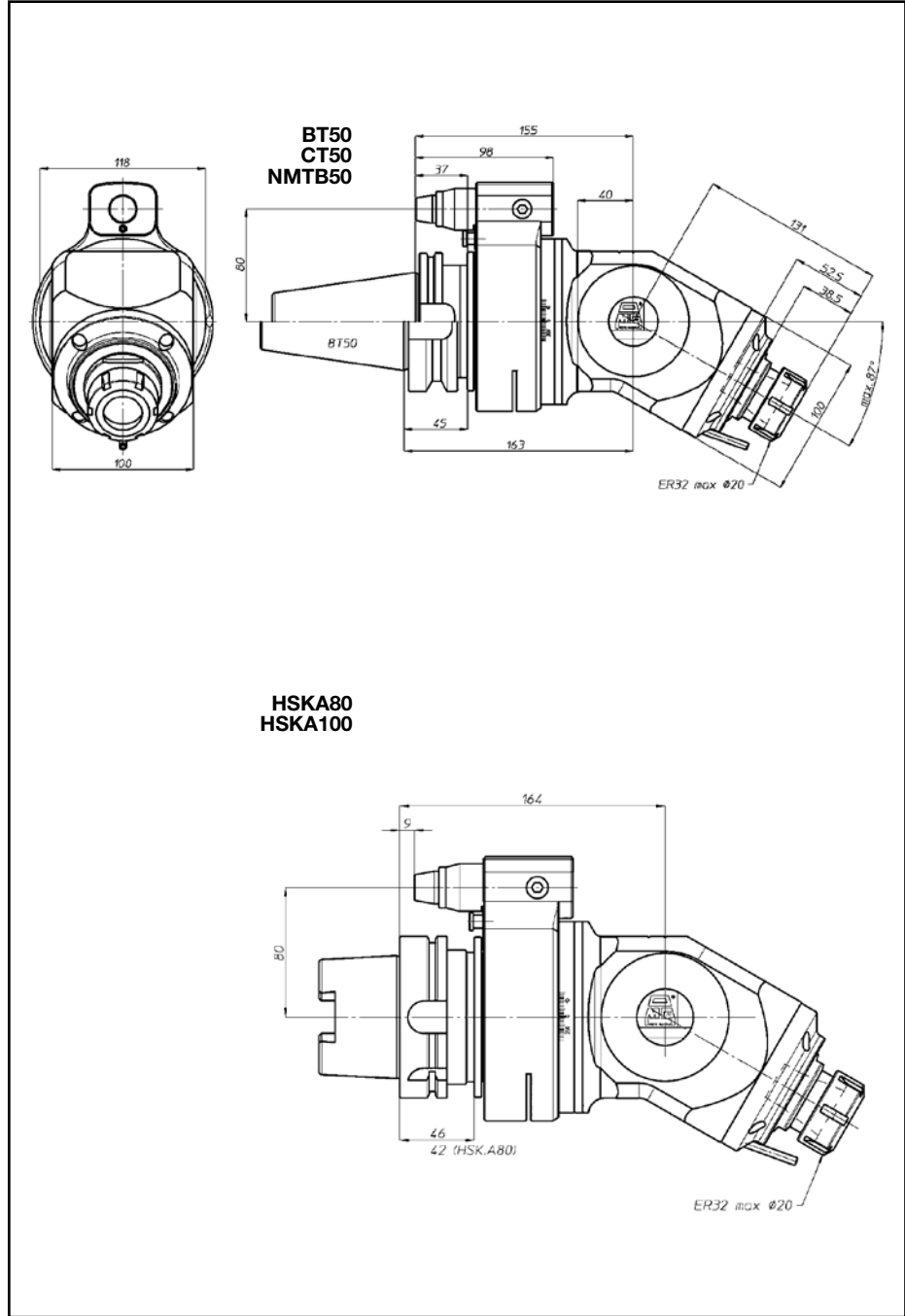
Ø13 1/2"	M10 3/8"	1-1	Rpm 4000	Kg 6.5-40 8.5-50

Power
Max. Torque



Taper	Order No.	Device Type	Output Spindle Collet Style	Max Capacity Ø
BT40	TAF13PB40	BT40 - TAF13P	ECX/ER20	13mm (1/2")
BT50	TAF13PB50	BT50 - TAF13P	ECX/ER20	13mm (1/2")
CT40	TAF13PC40	CT40 - TAF13P	ECX/ER20	13mm (1/2")
CT50	TAF13PC50	CT50 - TAF13P	ECX/ER20	13mm (1/2")
HSK63A	TAF13PH63	HSK63A - TAF13P	ECX/ER20	13mm (1/2")
HSK80A	TAF13PH80	HSK80A - TAF13P	ECX/ER20	13mm (1/2")
HSK100A	TAF13PH100	HSK100A - TAF13P	ECX/ER20	13mm (1/2")
NMTB50	TAF13PN50	NMTB50 - TAF13P	ECX/ER20	13mm (1/2")

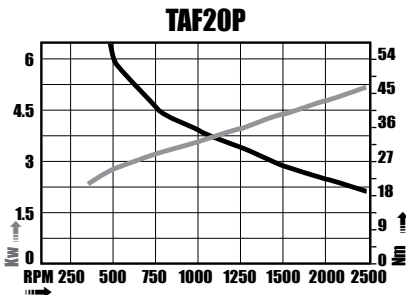
TAF20P - Fixed Angle Heads



TAF20P - CT50
TAF20P - MAS403-BT50
TAF20P - NMTB 50

Ø 20 3/4"	M16 5/8"	1-1	Rpm 3000	Kg 13.5 50

— Power
— Max. Torque



Taper	Order No.	Device Type	Output Spindle Collet Style	Max Capacity Ø
BT50	TAF20PB50	BT50 - TAF20P	ECX/ER32	20mm(3/4")
CT50	TAF20PC50	CT50 - TAF20P	ECX/ER32	20mm(3/4")
HSK80A	TAF20PH80	HSK80A - TAF20P	ECX/ER32	20mm(3/4")
HSK100A	TAF20PH100	HSK100A - TAF20P	ECX/ER32	20mm(3/4")
NMTB50	TAF20PN50	NMTB50 - TAF20P	ECX/ER32	20mm(3/4")