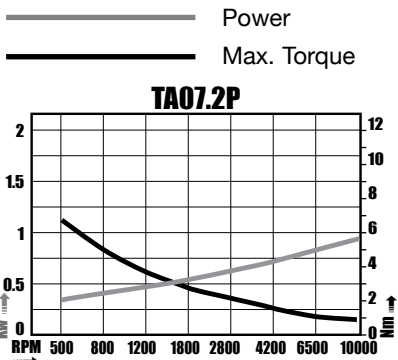
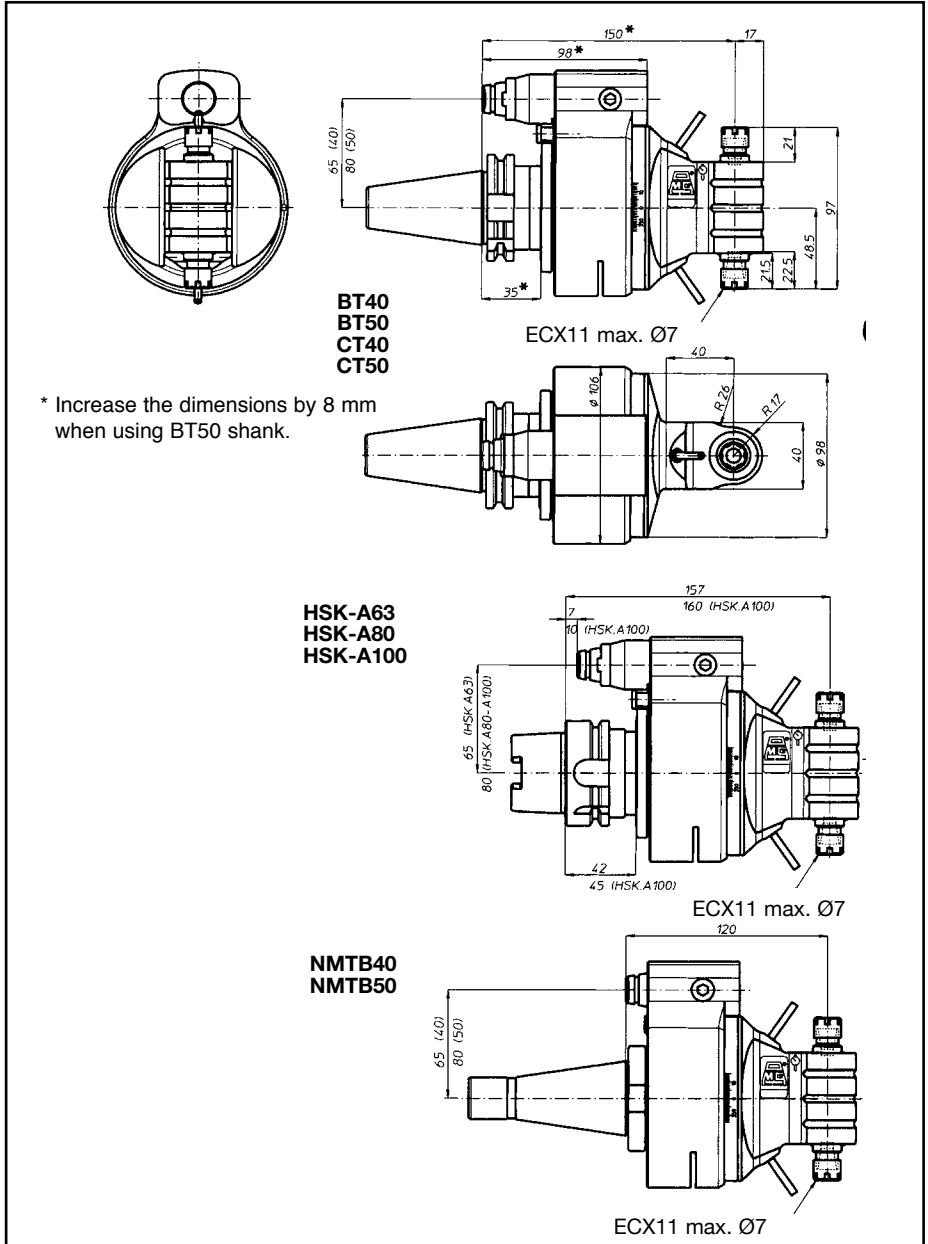


TA07.2P Right Angle Heads



With Double Spindle Output

Ø7 1/4"	M6 1/4"	1-1	10000	5-40 7-50



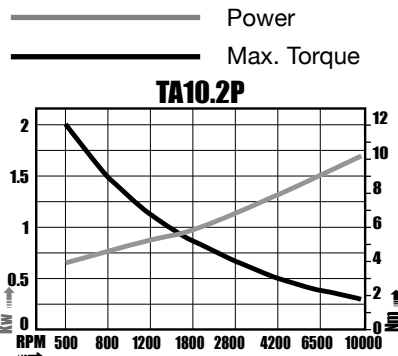
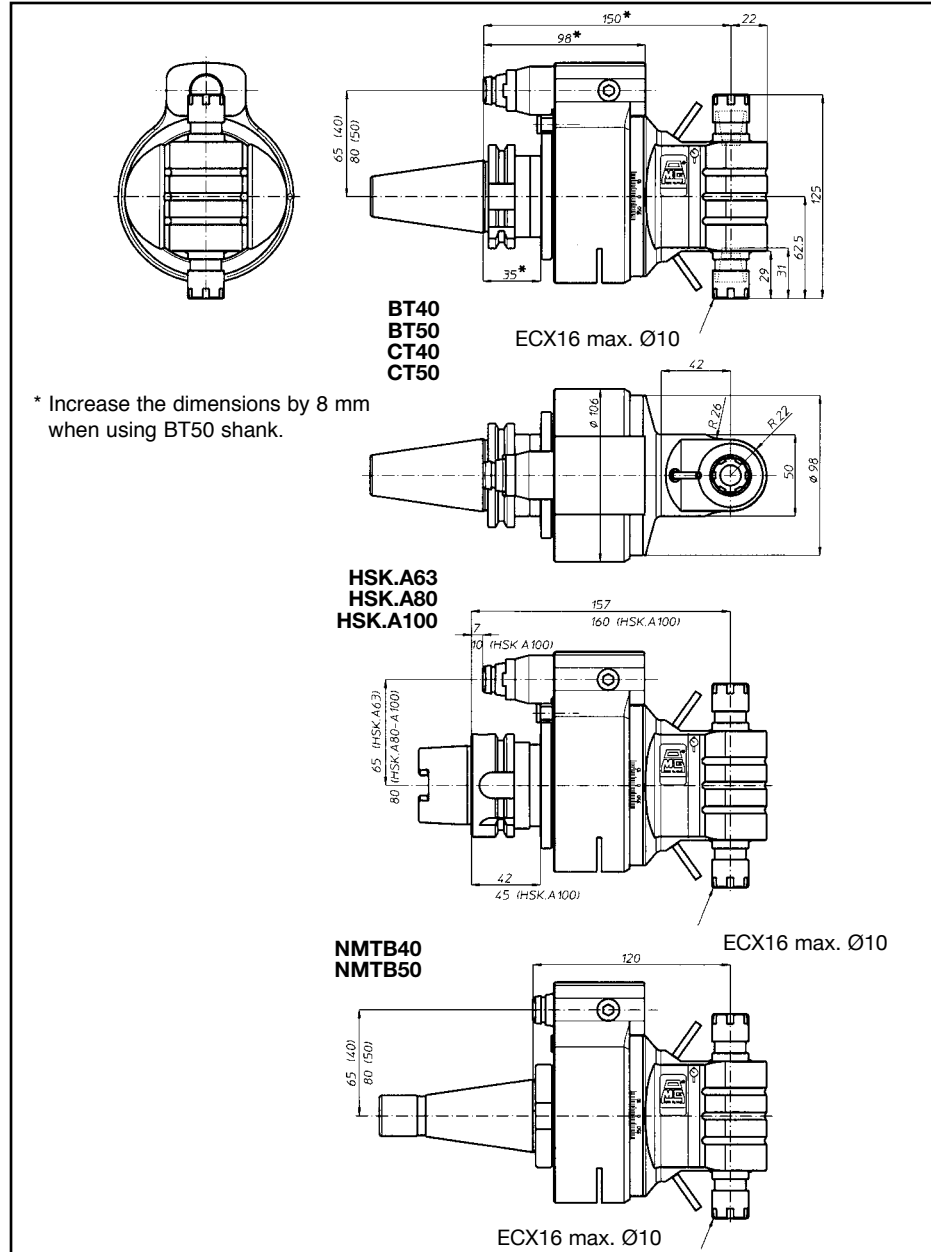
Taper	Order No.	Device Type	Output Spindle Collet Style	Max. Capacity Ø
BT40	TA072PB40	BT40-TA07.2P	ECX/ER11	7 mm
BT50	TA072PB50	BT50-TA07.2P	ECX/ER11	7 mm
CT40	TA072PC40	CT40-TA07.2P	ECX/ER11	7 mm
CT50	TA072PC50	CT50-TA07.2P	ECX/ER11	7 mm
HSK63A	TA072PH63	HSK63A-TA07.2P	ECX/ER11	7 mm
HSK80A	TA072PH80	HSK80A-TA07.2P	ECX/ER11	7 mm
HSK100A	TA072PH100	HSK100A-TA07.2P	ECX/ER11	7 mm
NMTB40	TA072PN40	NMTB40-TA07.2P	ECX/ER11	7 mm
NMTB50	TA072PN50	NMTB50-TA07.2P	ECX/ER11	7 mm

TA10.2P Right Angle Heads



With Double Spindle Output

Ø12	M10	1-1	Rpm	Kg
			10000	5.5-40 7.5-50



Taper	Order No.	Device Type	Output Spindle Collet Style	Max. Capacity Ø
BT40	TA102PB40	BT40-TA10.2P	ECX/ER16	10 mm (3/8")
BT50	TA102PB50	BT50-TA10.2P	ECX/ER16	10 mm (3/8")
CT40	TA102PC40	CT40-TA10.2P	ECX/ER16	10 mm (3/8")
CT50	TA102PC50	CT50-TA10.2P	ECX/ER16	10 mm (3/8")
HSK63A	TA102PH63	HSK63A-TA10.2P	ECX/ER16	10 mm (3/8")
HSK80A	TA102PH80	HSK80A-TA10.2P	ECX/ER16	10 mm (3/8")
HSK100A	TA102PH100	HSK100A-TA10.2P	ECX/ER16	10 mm (3/8")
NMTB40	TA102PN40	NMTB40-TA10.2P	ECX/ER16	10 mm (3/8")
NMTB50	TA102PN50	NMTB50-TA10.2P	ECX/ER16	10 mm (3/8")

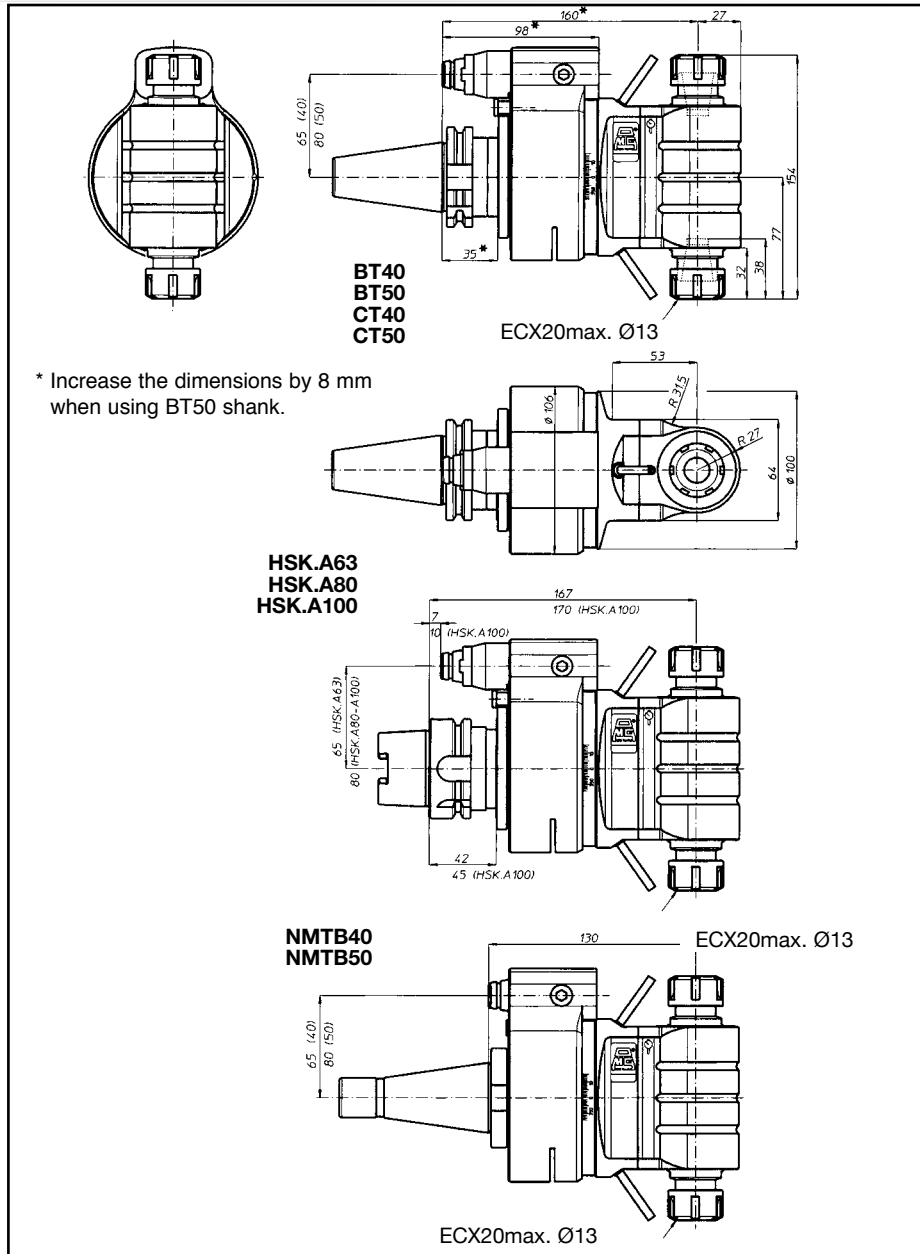
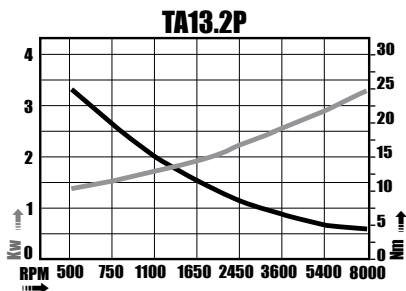
TA13.2P Right Angle Heads



With Double Spindle Output

Ø13	M10	1-1	8000	6.5-40 7.5-50

— Power
— Max. Torque



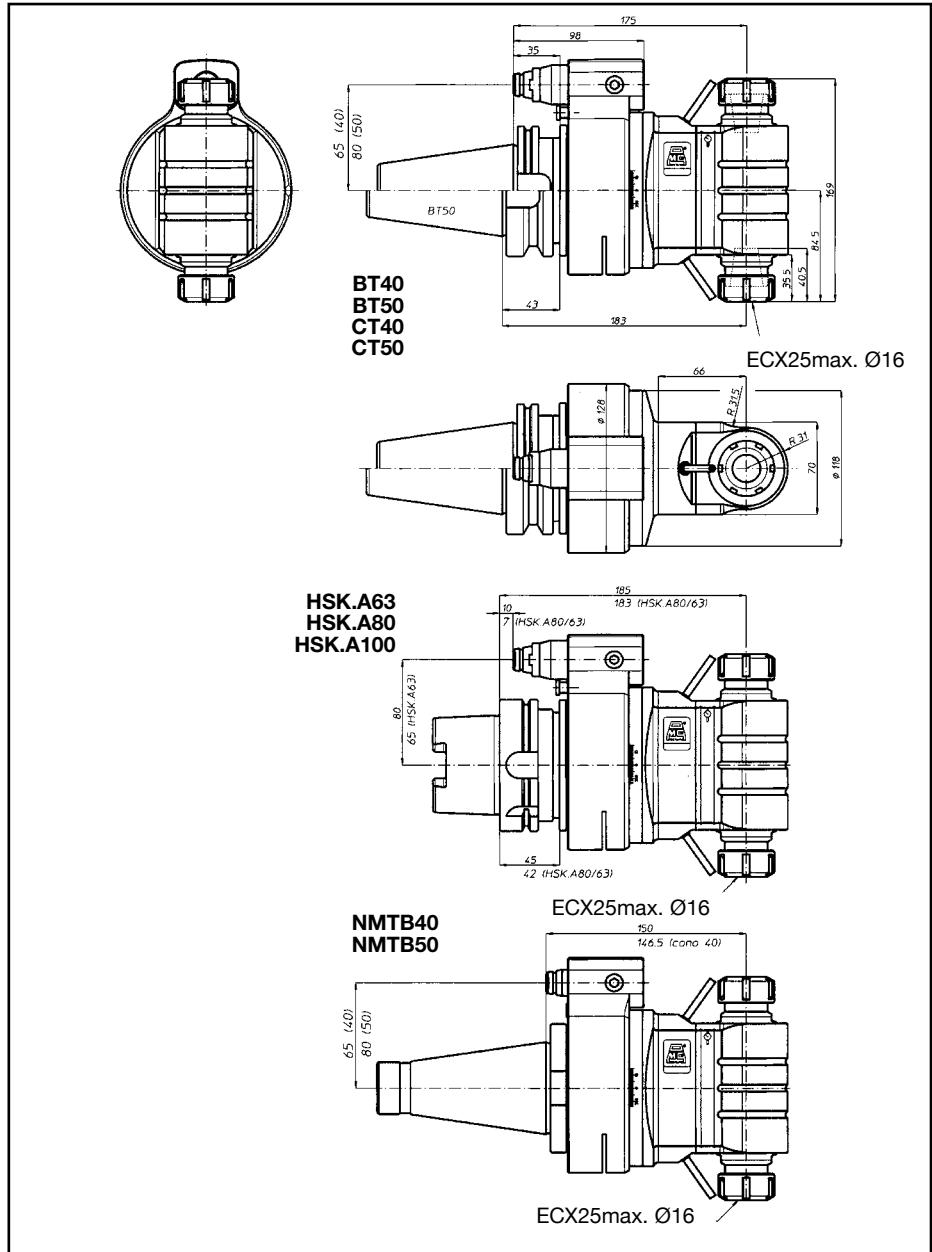
Taper	Order No.	Device Type	Output Spindle Collet Style	Max. Capacity Ø
BT40	TA132PB40	BT40-TA13.2P	ECX/ER20	13 mm (1/2")
BT50	TA132PB50	BT50-TA13.2P	ECX/ER20	13 mm (1/2")
CT40	TA132PC40	CT40-TA13.2P	ECX/ER20	13 mm (1/2")
CT50	TA132PC50	CT50-TA13.2P	ECX/ER20	13 mm (1/2")
HSK63A	TA132PH63	HSK63A-TA13.2P	ECX/ER20	13 mm (1/2")
HSK80A	TA132PH80	HSK80A-TA13.2P	ECX/ER20	13 mm (1/2")
HSK100A	TA132PH100	HSK100A-TA13.2P	ECX/ER20	13 mm (1/2")
NMTB40	TA132PN40	NMTB40-TA13.2P	ECX/ER20	13 mm (1/2")
NMTB50	TA132PN50	NMTB50-TA13.2P	ECX/ER20	13 mm (1/2")

TA16.2P Right Angle Heads

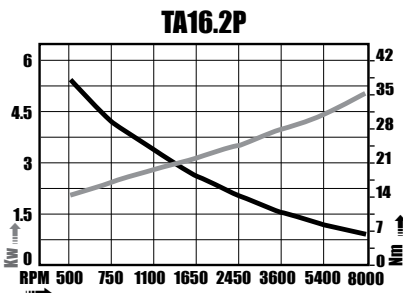


With Double Spindle Output

Ø16	M12	1-1	5000	7.7-40 11.2-50



— Power
— Max. Torque



Taper	Order No.	Device Type	Output Spindle Collet Style	Max. Capacity Ø
BT40	TA162PB40	BT40-TA16.2P	ECX/ER25	16 mm (5/8")
BT50	TA162PB50	BT50-TA16.2P	ECX/ER25	16 mm (5/8")
CT40	TA162PC40	CT40-TA16.2P	ECX/ER25	16 mm (5/8")
CT50	TA162PC50	CT50-TA16.2P	ECX/ER25	16 mm (5/8")
HSK63A	TA162PH63	HSK63A-TA16.2P	ECX/ER25	16 mm (5/8")
HSK80A	TA162PH80	HSK80A-TA16.2P	ECX/ER25	16 mm (5/8")
HSK100A	TA162PH100	HSK100A-TA16.2P	ECX/ER25	16 mm (5/8")
NMTB40	TA162PN40	NMTB40-TA16.2P	ECX/ER25	16 mm (5/8")
NMTB50	TA162PN50	NMTB50-TA16.2P	ECX/ER25	16 mm (5/8")

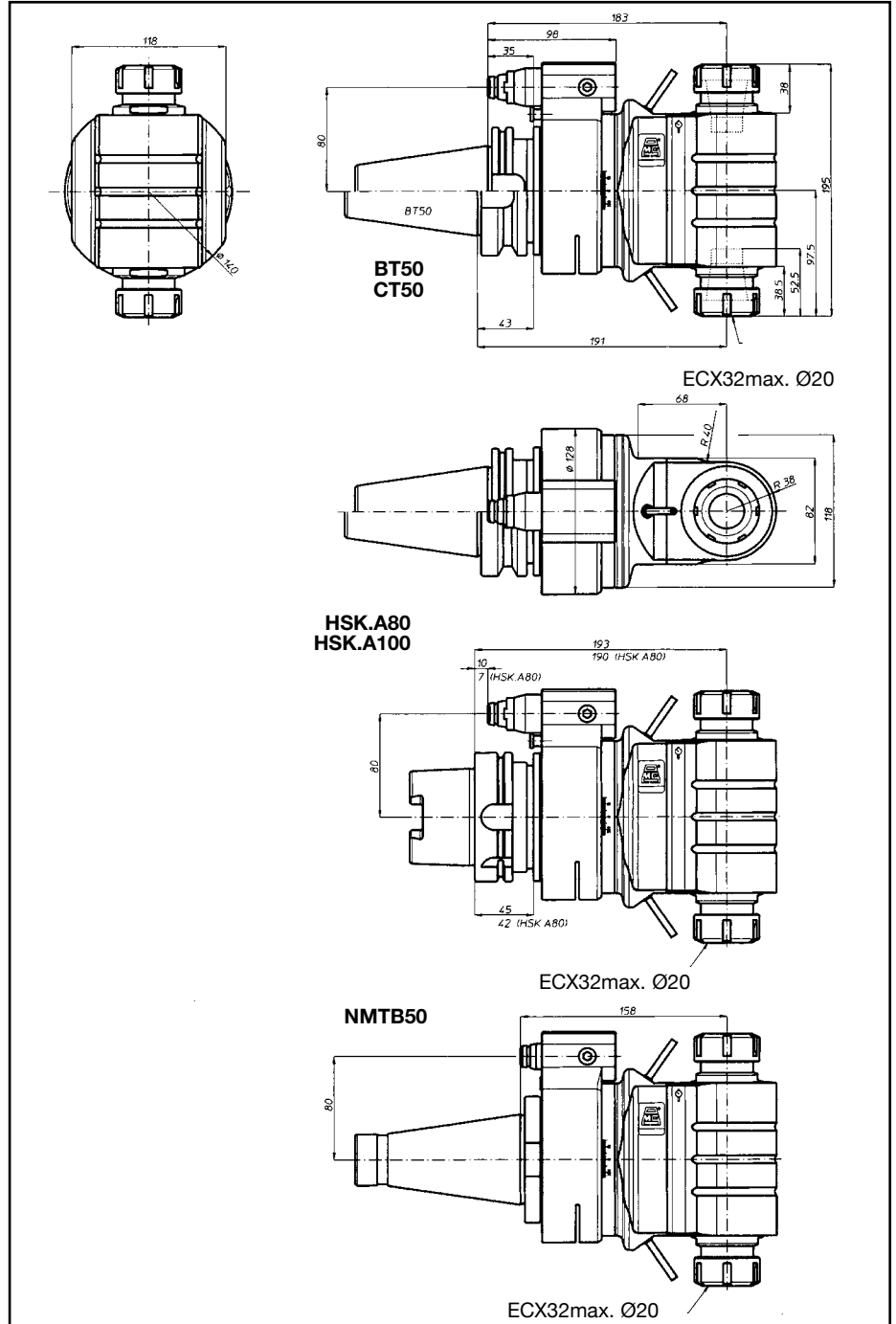
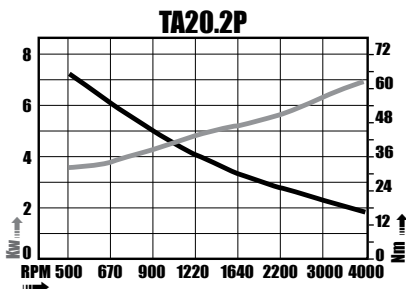
TA20.2P Right Angle Heads



With Double Spindle Output

Ø20	M14	1-1	3500	15-50

— Power
— Max. Torque



Taper	Order No.	Device Type	Output Spindle Collet Style	Max. Capacity Ø
BT50	TA202PB50	BT50-TA20.2P	ECX/ER32	20 mm (3/4")
CT50	TA202PC50	CT50-TA20.2P	ECX/ER32	20 mm (3/4")
HSK80A	TA202PH80	HSK80A-TA20.2P	ECX/ER32	20 mm (3/4")
HSK100A	TA202PH100	HSK100A-TA20.2P	ECX/ER32	20 mm (3/4")
NMTB50	TA202PN50	NMTB50-TA20.2P	ECX/ER32	20 mm (3/4")

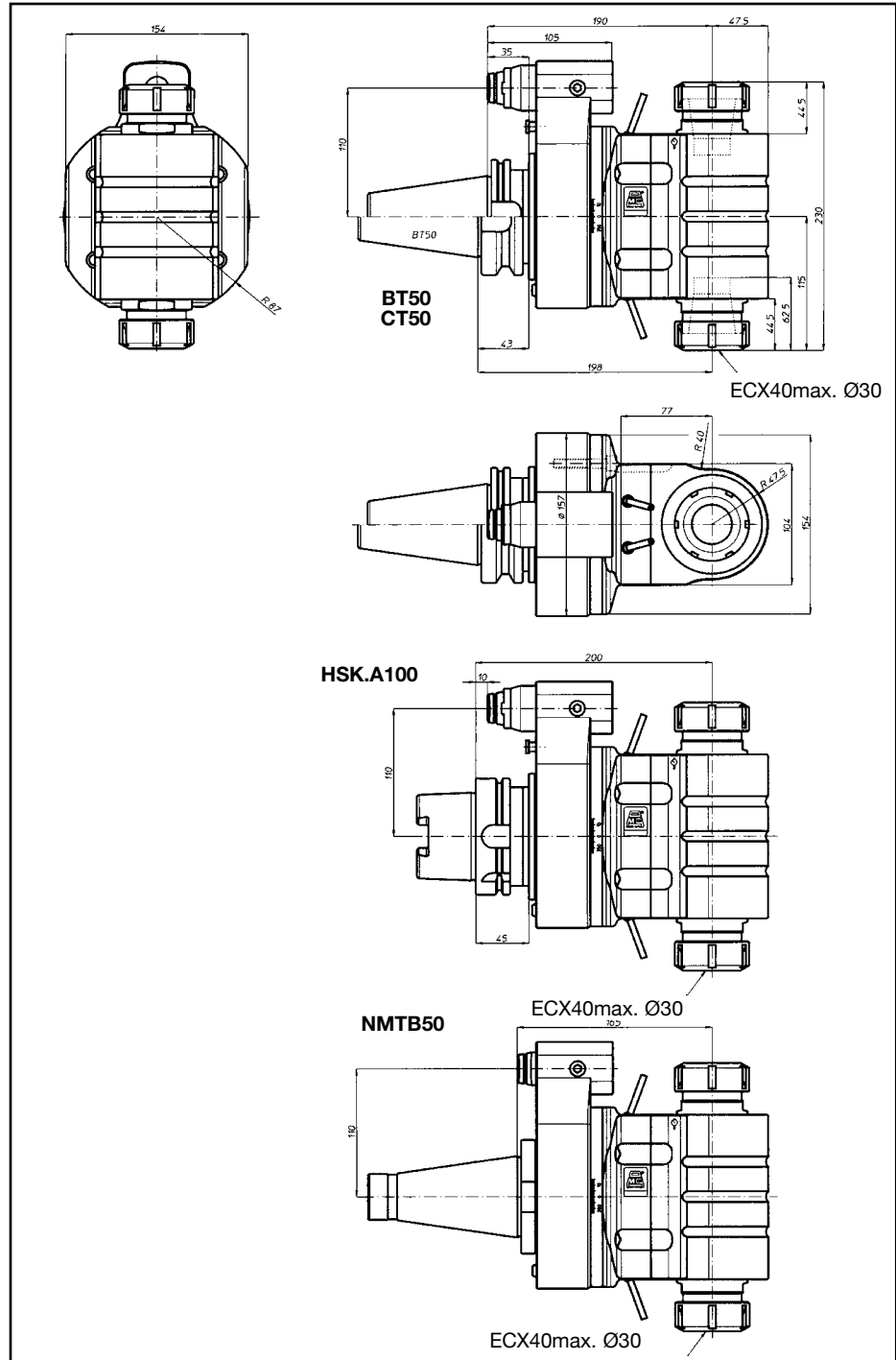
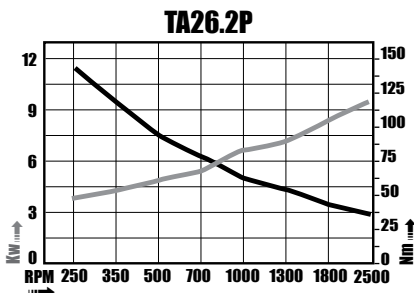
TA26.2P Right Angle Heads



With Double Spindle Output

Ø26 1"	M20 3/4"	1-1	Rpm 2500	Kg 22.5 50

— Power
— Max. Torque



Taper	Order No.	Device Type	Output Spindle Collet Style	Max. Capacity Ø
BT50	TA262PB50	BT50-TA26.2P	ECX/ER40	26 mm (1")
CT50	TA262PC50	CT50-TA26.2P	ECX/ER40	26 mm (1")
HSK100A	TA262PH100	HSK100A-TA26.2P	ECX/ER40	26 mm (1")
NMTB50	TA262PN50	NMTB50-TA26.2P	ECX/ER40	26 mm (1")